

## Shampoo shelf, 9000E/9000E II

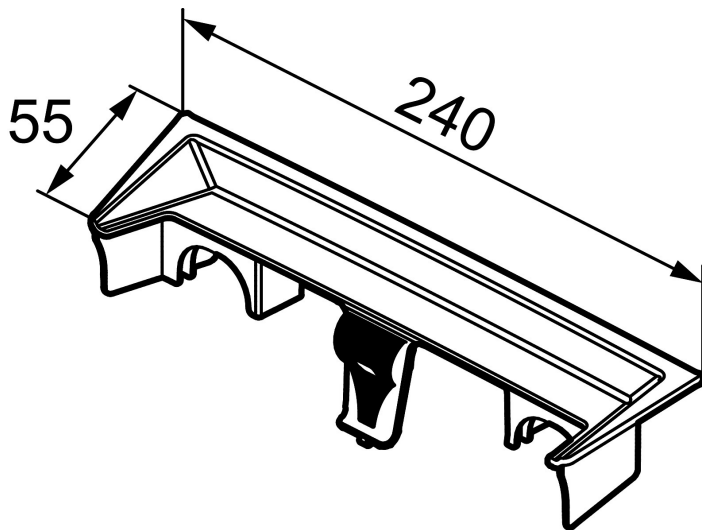
An intelligent shampoo shelf for the 9000E safety mixer. Easy to install without disturbing the moisture barrier in your bathroom.

Shampoo shelf specially designed for the 9000E safety mixer. Easy to install without disturbing the moisture barrier in your bathroom – an elegant answer to a common everyday problem. The shelf provides ample storage space with natural water drainage, and is easy to remove for cleaning. You'll never have to put your shampoo or soap on the floor again.

**Article number:** 93040800

**Description:** Chrome

### Uniqe characteristics



- Shampoo shelf specially designed for 9000E and 9000E II thermostatic mixer