



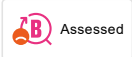
## SILJAN kitchen mixer


Siljan is FM Mattsson's new signature collection. It includes a wide range of products with a strong focus on design and smart technology, in line with our vision of caring for people and the environment. Siljan is a natural choice for anyone who aspires to a sustainable lifestyle. A wide range of models guarantees that you will find exactly the right solution for your kitchen.

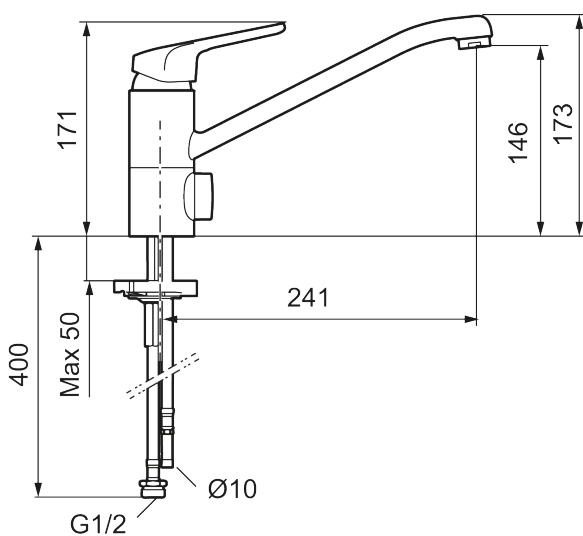
**Article number:** 83210000 **Flow 3 bar:** 10.8 l/m

**Description:** Chrome, connection flat end Ø10 mm

### Unique characteristics



Backflow protection unit type 



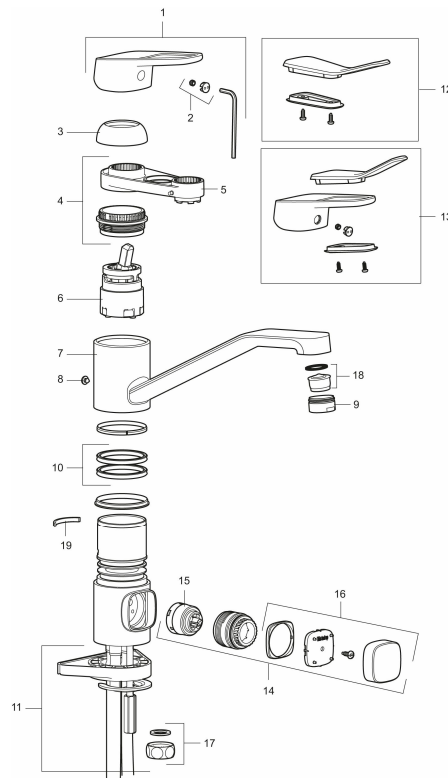
- Cold Start
- Ceramic cartridge with soft closing function
- Adjustable flow control and temperature limiter
- Eco Flow (energy and water saving aerator)
- Swivel spout 110°
- With dish washer valve, switchable between cold and hot water. Pre-set on cold water
- Soft PEX<sup>®</sup> hoses (stainless steel braided)
- Hole diameter Ø34-37 mm

## PRODUCT DESCRIPTION

### SILJAN kitchen mixer

Siljan is FM Mattsson's new signature collection. It includes a wide range of products with a strong focus on design and smart technology, in line with our vision of caring for people and the environment. Siljan is a natural choice for anyone who aspires to a sustainable lifestyle. A wide range of models guarantees that you will find exactly the right solution for your kitchen.

Article number: 83210000



### Sparepartlist

NO.	FMM NO.	RSK	DESCRIPTION
1	58501000	8592023	Complete lever, chrome
2	58511000	8592021	Cover lid with colour marking
3	58521000	8592020	Cover sleeve, chrome
4	58530160	8241727	Fastening nipple for cartridge, incl. service tool
5	S600298	3870203	Service tool
6	S600273	8387230	Ceramic cartridge with service tool, cold start (green ring)
6	59115500	8591947	Ceramic cartridge with service tool, standard (red ring)
6	59126000	8591966	Ceramic cartridge with service tool, Eco Plus (green ring)
7	58660000	8592035	Spout
8	38080000	8241723	Stop screw
9	29142400	8281526	Housing M24 ext., 13 mm

NO.	FMM NO.	RSK	DESCRIPTION
10	S600301	8387255	Sealing rings, 2 pcs
11	39142000	8186890	Fastening kit, for mixers with on/off valve
12	35974009	8592038	Care-kit
13	58504000	8592049	Care-lever, complete
14	59291000	8186896	On/off valve for dishwasher, complete
15	S600337	8346905	Ceramic cartridge for dishwasher, with service tool
15	S600316	8387265	Ceramic cartridge for dishwasher, without service tool
16	58281000	8592036	Knob for dishwasher, chrome
17	29651501	8531502	Rough chrome plated
18	29102710	8281528	Aerator insert, 9–11 l/min at 300kPa
18	29102890	8281533	Aerator insert, 10–13 l/min at 300kPa
19	38230005	8141730	Limitation clamp for fixed spout and swivel 30-90°