



## 9000XE shower kit

9000XE shower kit is our complete shower kit with a mixer and shower set in chrome. The mixer, combined with the large nozzle, delivers a pleasant shower experience with good pressure and an ample jet range without wasting water. The shower kit is easy to install in all types of bathrooms. The product can be supplemented with a tub spout.

**Article number:** 86821500 **Flow 3 bar:** 6.9 l/m

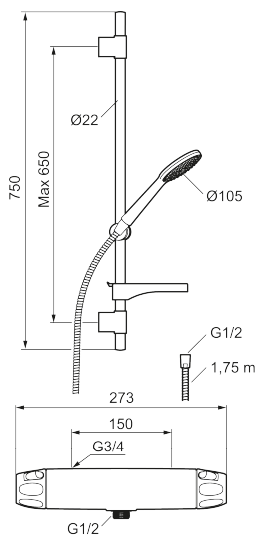
**Description:** Chrome, 150 c/c

- Safety mixer 9000XE and head shower set 9000XE
- Shower set has anti lime-scale hand shower, shower bar with slider, soap dish and wall brackets with sealing
- Lead Free material

### Unique characteristics



Backflow protection unit type **EB**

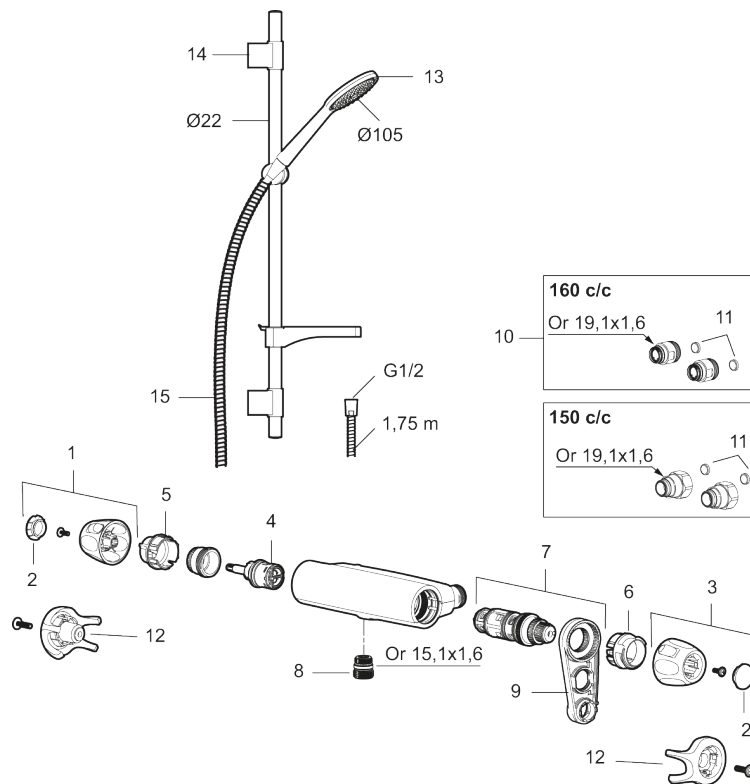


## PRODUCT DESCRIPTION

### 9000XE shower kit

9000XE shower kit is our complete shower kit with a mixer and shower set in chrome. The mixer, combined with the large nozzle, delivers a pleasant shower experience with good pressure and an ample jet range without wasting water. The shower kit is easy to install in all types of bathrooms. The product can be supplemented with a tub spout.

Article number: 86821500



## Sparepartlist

| NO. | FMM NO.    | RSK     | DESCRIPTION  |
|-----|------------|---------|--|
| 1   | S600083    | 8218917 | On/off handle, complete, krom                      |
| 1   | S600083.75 | 8218919 | On/off handle, complete, brushed chrome            |
| 2   | S600116    | 8218920 | End cover, chrome                                  |
| 2   | S600116.75 | 8218922 | End cover, brushed chrome                          |
| 3   | S600082    | 8218914 | Temperature handle, complete, chrome               |
| 3   | S600082.75 | 8218916 | Temperature handle, complete, brushed chrome       |
| 4   | S600020    | 8441462 | Ceramic headwork, with service tool (shower mixer) |
| 4   | S600269    | 8387232 | Ceramic headwork, without tool (shower mixer)      |
| 5   | S600086    | 8439710 | Stop ring, standard                                |
| 6   | S600087    | 8439711 | Scalding protection ring                           |

| NO. | FMM NO.    | RSK     | DESCRIPTION  |
|-----|------------|---------|--|
| 7   | S600084    | 8439709 | Thermostatic cartridge, complete, incl. service tool   |
| 7   | S600271    | 8397030 | Thermostatic cartridge, complete, without service tool |
| 8   | S600088    | 8439712 | Nipple M18x1-G1/2 for shower mixer                     |
| 9   | 60770000   | 8591918 | Service tool   |
| 10  | 59800800   | 8592005 | Inlet connectors, 160 c/c                              |
| 11  | 38632006   | 8590311 | Filter   |
| 12  | S600105    | 8439713 | Care-handle, black, 2 pcs                              |
| 13  | S600091    | 8233001 | Hand shower, chrome                                    |
| 13  | S600091.75 | 8233003 | Hand shower, brushed chrome                            |
| 14  | S600095    | 8239500 | Wall bracket, chrome                                   |
| 14  | S600095.75 | 8221926 | Wall bracket, brushed chrome                           |
| 15  | S600109    | 8252036 | Shower hose, chrome                                    |
| 15  | S600109.75 | 8252038 | Shower hose, brushed chrome                            |