



9000XE kitchen mixer

9000XE kitchen mixer with C-spout in brushed chrome suits any kitchen, whatever its size. This kitchen mixer is lead-free and equipped with our smart, innovative, energy-saving functions such as cold start, soft closing, a temperature limiter function and an energy- and water-saving aerator. Its timeless, practical design makes it a functional and aesthetically durable addition to any modern home.

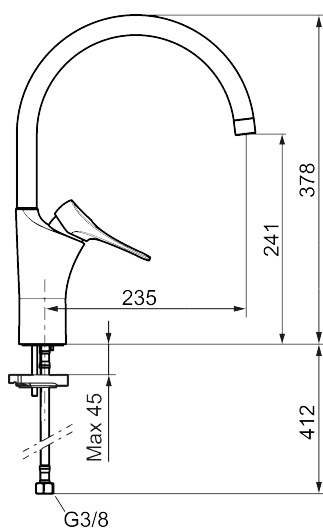
Article number: 86000013 **Flow 3 bar:** 6.0 l/m

Description: Brushed chrome

Unique characteristics



Backflow protection unit type **AA**



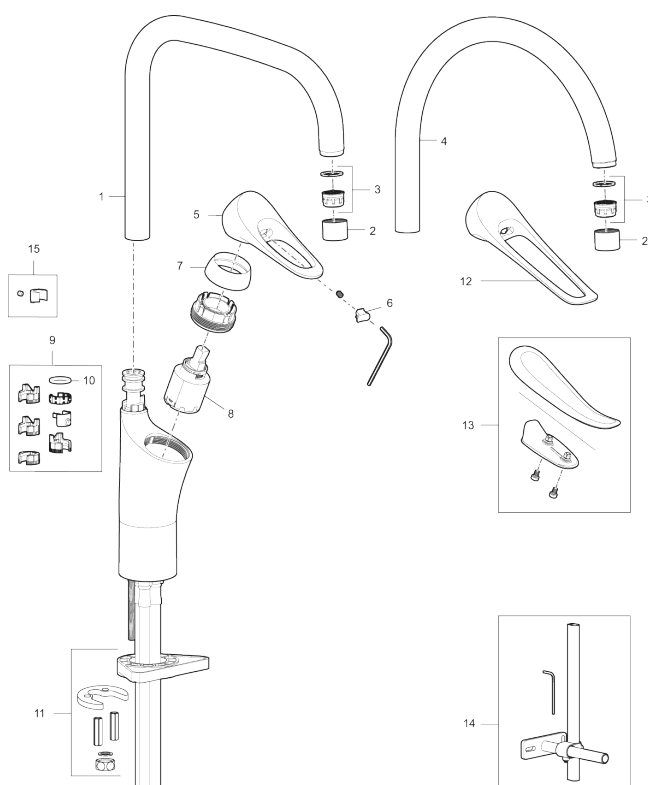
- Cold Start
- Ceramic cartridge with soft closing function
- Adjustable flow control and temperature limiter
- Eco Flow (energy and water saving aerator)
- Swivel spout, limitation part for 60°, 85°, 110° or 360° included
- Soft PEX® hoses with 3/8" connecting nut (stainless steel braided)
- Lead Free material
- Hole diameter Ø34-37 mm

PRODUCT DESCRIPTION

9000XE kitchen mixer

9000XE kitchen mixer with C-spout in brushed chrome suits any kitchen, whatever its size. This kitchen mixer is lead-free and equipped with our smart, innovative, energy-saving functions such as cold start, soft closing, a temperature limiter function and an energy- and water-saving aerator. Its timeless, practical design makes it a functional and aesthetically durable addition to any modern home.

Article number: 86000013



Sparepartlist

| NO. | FMM NO. | RSK | DESCRIPTION |
|-----|------------|---------|---|
| 1 | S600103 | 8387035 | Spout, U-model, chrome |
| 1 | S600103.75 | 8387037 | Spout, U-model, brushed chrome |
| 2 | S600155 | 8280012 | Housing M22 int., chrome |
| 2 | S600155.75 | 8280013 | Housing M22 int., brushed chrome |
| 3 | 29102910 | 8281534 | Aerator insert, 5,5–6,5 l/min at 300kPa |
| 3 | 29100500 | 8281532 | Aerator insert, 5 l/min at 200–600 kPa |
| 3 | S600072 | 8281671 | Aerator insert, 3 l/min at 200–600 kPa |
| 4 | S600102 | 8387032 | Spout, C-model, chrome |
| 4 | S600102.75 | 8387034 | Spout, C-model, brushed chrome |
| 5 | S600096 | 8387022 | Lever, complete, chrome |

| NO. | FMM NO. | RSK | DESCRIPTION |
|-----|------------|---------|---|
| 5 | S600096.75 | 8387024 | Lever, complete, Brushed chrome |
| 6 | S600097 | 8387025 | Cover lid with colour marking |
| 7 | S600101 | 8387029 | Cover sleeve, chrome |
| 7 | S600101.75 | 8387031 | Cover sleeve, brushed chrome |
| 8 | S600098 | 8387026 | Ceramic cartridge with tool, for kitchen mixers |
| 8 | S600209 | 8387039 | Ceramic cartridge, without tool, for kitchen mixers |
| 8 | S600100 | 8387028 | Ceramic cartridge with tool, for kitchen mixer (LEED) and basin mixer |
| 8 | S600099 | 8387027 | Ceramic cartridge, without tool, for kitchen mixer (LEED) and basin mixer |
| 9 | 58641000 | 8594560 | Lock kit for swivel spout |
| 10 | 37801550 | 8295350 | O-ring 15,54 x 2,62, 2 pcs |
| 11 | S600159 | 8387097 | Fastening kit, for kitchen mixer |
| 12 | S600175 | 8387083 | Care-lever, complete |
| 13 | S600106 | 8397001 | Care-kit |
| 14 | S600308 | 8387263 | Stabilizer kit |
| 15 | S600140 | 8387023 | Stop screw with limitation segment, for fixed spout |