
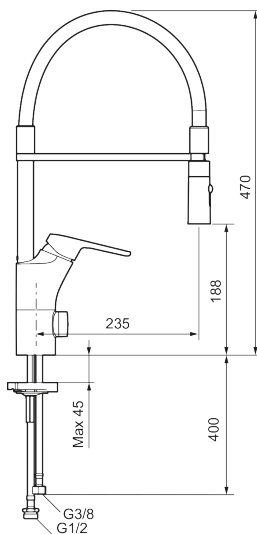




Unique characteristics

Backflow protection unit type  EB



SILJAN flexi kitchen mixer

SILJAN flexi mixers boast FM Mattsson's well-known functions such as cold start, soft closing, flow control, a temperature limiter and an energy- and water-saving aerator. In addition to these benefits, SILJAN flexi mixers also have a detachable nozzle and a choice of jet settings.

Article number: 83110010 Flow 3 bar: 10.3 l/m

Description: Chrome

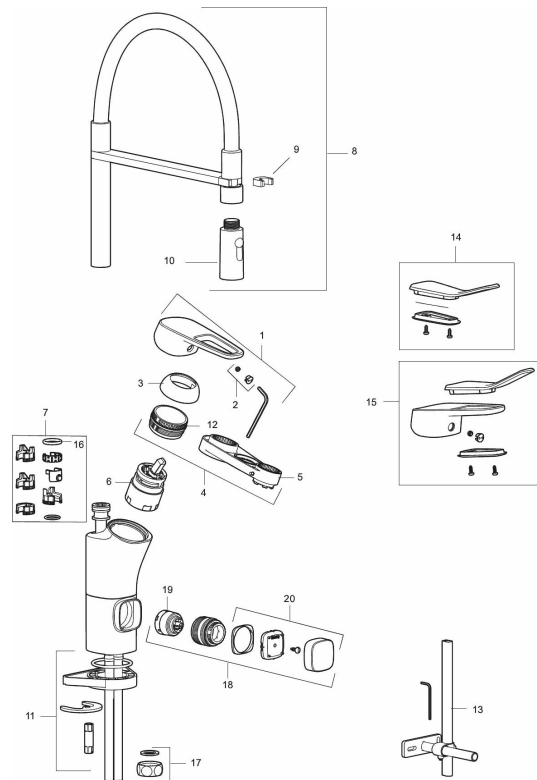
- Cold Start
- Ceramic cartridge with soft closing function
- Adjustable flow control and temperature limiter
- Hose, limitation part for 60°, 85°, 110° or 360° included
- Nozzle with concentrated jet and handshower
- With dish washer valve, switchable between cold and hot water. Pre-set on cold water
- Soft PEX[®] hoses with 3/8" connecting nut (stainless steel braided)
- Approved non-return valves, EN-Standard EN1717
- Hole diameter Ø34-37 mm

PRODUCT DESCRIPTION

SILJAN flexi kitchen mixer

SILJAN flexi mixers boast FM Mattsson's well-known functions such as cold start, soft closing, flow control, a temperature limiter and an energy- and water-saving aerator. In addition to these benefits, SILJAN flexi mixers also have a detachable nozzle and a choice of jet settings.

Article number: 83110010



Sparepartlist

| NO. | FMM NO. | RSK | DESCRIPTION |
|-----|----------|---------|---|
| | 44450009 | 8295353 | Accessories (limitation segment, stop screw, allen wrench 3 mm) |
| 1 | 58501000 | 8592023 | Complete lever, chrome |
| 2 | 58511000 | 8592021 | Cover lid with colour marking |
| 3 | 58521000 | 8592020 | Cover sleeve, chrome |
| 4 | 58530140 | 8241726 | Fastening nipple with service tool |
| 5 | 60770000 | 8591918 | Service tool |
| 6 | S600273 | 8387230 | Ceramic cartridge with service tool, cold start (green ring) |
| 7 | 58641000 | 8594560 | Lock kit for swivel spout |
| 8 | S600059 | 8394011 | Spout, complete, chrome |
| 9 | S600061 | 8393993 | Spout mount |
| 10 | S600060 | 8394012 | Nozzle |
| 11 | 39142800 | 8186893 | Fastening kit, for kitchen mixer with on/off valve |

| NO. | FMM NO. | RSK | DESCRIPTION |
|-----|----------|---------|---------------------------------------|
| 12 | 29390000 | 8295356 | Fastening nipple |
| 13 | 39147000 | 8592050 | Stabilizer kit |
| 14 | 35974009 | 8592038 | Care-kit |
| 15 | 58504000 | 8592049 | Care-lever, complete |
| 16 | 37801550 | 8295350 | O-ring 15,54 x 2,62, 2 pcs |
| 17 | 29651501 | 8531502 | Rough chrome plated |
| 18 | 59291000 | 8186896 | On/off valve for dishwasher, complete |
| 19 | 59271000 | 8591843 | Ceramic cartridge for dishwasher |
| 20 | 58281000 | 8592036 | Knob for dishwasher, chrome |