



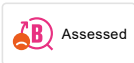
9000E shower mixer


An optimal fusion of design and function. The FM Mattsson 9000E range ushers in a new generation of mixers that are environmentally engineered down to the last detail. Even in its basic version, the mixer has our unique functions that ensure a constant water temperature and safe, reliable function. A new feature of these mixers is a cool mixer body. You'll never burn yourself on a 9000E mixer.

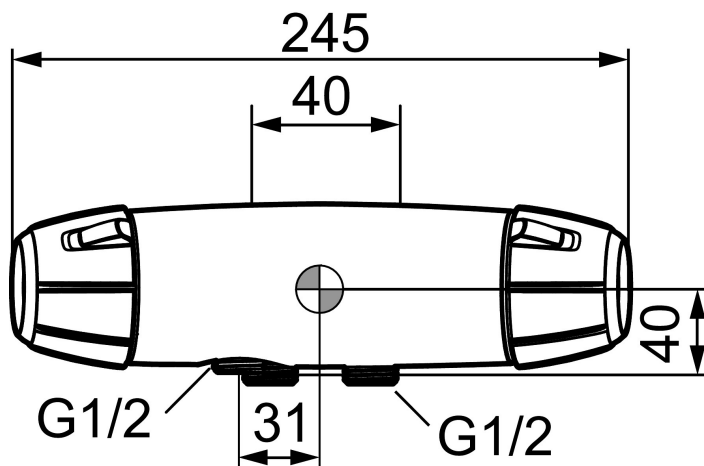
Article number: 82501000

Description: Chrome, 40 c/c, pipe connection down

Uniqe characteristics



Backflow protection unit type 



- Note! 40 c/c
- With shower connection down
- Pressure balanced thermostatic mixer
- With ceramic sealed headwork
- With wall fixing
- Temperature handle with safety stop at 38°C
- Approved non-return valves, EN-Standard EN1717
- Shower outlet projection from wall: 55 mm