
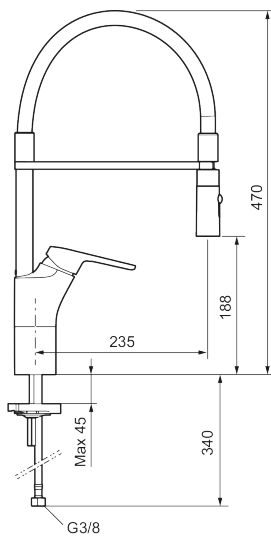




Unique characteristics

Backflow protection unit type 



SILJAN flexi kitchen mixer

SILJAN flexi mixers boast FM Mattsson's well-known functions such as cold start, soft closing, flow control, a temperature limiter and an energy- and water-saving aerator. In addition to these benefits, SILJAN flexi mixers also have a detachable nozzle and a choice of jet settings.

Article number: 83100010 Flow 3 bar: 10.3 l/m

Description: Chrome

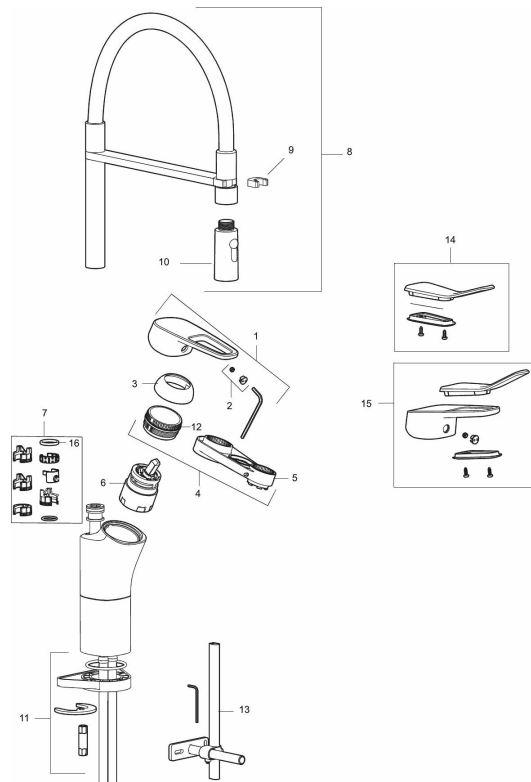
- Cold Start
- Ceramic cartridge with soft closing function
- Adjustable flow control and temperature limiter
- Hose, limitation part for 60°, 85°, 110° or 360° included
- Nozzle with concentrated jet and handshower
- Soft PEX[®] hoses with 3/8" connecting nut (stainless steel braided)
- Approved non-return valves, EN-Standard EN1717
- Hole diameter Ø34-37 mm

PRODUCT DESCRIPTION

SILJAN flexi kitchen mixer

SILJAN flexi mixers boast FM Mattsson's well-known functions such as cold start, soft closing, flow control, a temperature limiter and an energy- and water-saving aerator. In addition to these benefits, SILJAN flexi mixers also have a detachable nozzle and a choice of jet settings.

Article number: 83100010



Sparepartlist

NO.	FMM NO.	RSK	DESCRIPTION
	44450009	8295353	Accessories (limitation segment, stop screw, allen wrench 3 mm)
1	58501000	8592023	Complete lever, chrome
2	58511000	8592021	Cover lid with colour marking
3	58521000	8592020	Cover sleeve, chrome
4	58530140	8241726	Fastening nipple with service tool
5	S600298	3870203	Service tool
6	S600273	8387230	Ceramic cartridge with service tool, cold start (green ring)
7	58641000	8594560	Lock kit for swivel spout
8	S600059	8394011	Spout, complete, chrome
9	S600061	8393993	Spout mount
10	S600060	8394012	Nozzle
11	S600159	8387097	Fastening kit, for kitchen mixer

NO.	FMM NO.	RSK	DESCRIPTION
12	29390000	8295356	Fastening nipple
13	S600308	8387263	Stabilizer kit
14	35974009	8592038	Care-kit
15	58504000	8592049	Care-lever, complete
16	37801550	8295350	O-ring 15,54 x 2,62, 2 pcs