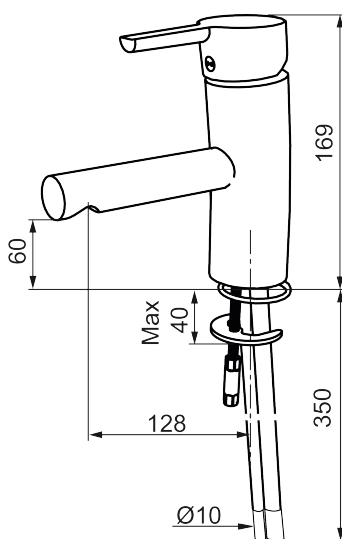




Unique characteristics



Backflow protection unit type **AA**



MORA MMIX B5 MEDICARE basin mixer

Article number: 733000.CL **Flow 3 bar:** 10.5 l/m

Description: Chrome

- ESS (energy saving system)
- Ceramic cartridge with soft closing function
- Adjustable flow control and temperature limiter
- Aerator without air admixture, maximum flow 9–11 l/min at 300 kPa
- Flexible connection tubes in stainless steel braided Soft PEX® flat end Ø10 mm, with protective plastic covering for improved hygiene and easier cleaning
- Extra long spout reduces risk of water jet spraying onto the basin's foot valve. Spout projection 128 mm
- Approved by the Rheumatism Association in Sweden
- Lead Free material
- Hole diameter Ø28-37 mm