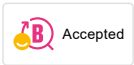

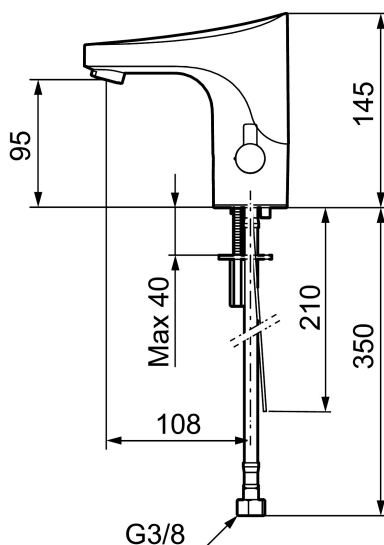




## Uniqe characteristics



Backflow protection unit type 



## 9000E tronic WMS basin mixer, battery operation

**Article number:** 16416000 **Flow 3 bar:** 5.0 l/m

**Description:** Chrome, battery operation (included battery), 5 l/min at 200–600 kPa

- WMS-mixers with possibilities of wireless connection (subscription is required)
- Adjustable hygiene flushing, intervals and rinsing time (to avoid stagnant water)
- Logging of all flushings with point of time, water consumption and temperature for individual mixer or group of mixers (minimum, maximum and average values)
- Battery monitoring
- Built-in temperature measurements of mixed water temperature
- Programmable temperature stop, the mixer will turn off directly at set maximum temperature
- Soft closing solenoid valve
- Safe against vandalism, complete in metal
- Eco (energy and water saving constant flow aerator)
- Flush Timeout - safety shut-off to prevent flooding
- Rinse time
- Time limited shut-off (eg for cleaning)
- Low power consumption - Long life
- Equipped with system for thermal disinfection against legionella
- Battery operation, can be converted to mains operation
- IP class sensor, IP67
- Approved non-return valves, EN-Standard EN1717
- Environmental friendly material, Lead free, Nickel Free

### Installation:

- Note! Gateway and a subscription is required for WMS
- Automatic sensor calibration
- After adjusting to the desired temperature, knob can be replaced with a lid
- Easy to change battery, without turning off the water supply

- For mains operation requires installation of the adapter kit FMM S600147
- Soft PEX<sup>®</sup> hoses with integrated non return valves and filters (stainless steel braided)
- Hole diameter Ø33,5-37 mm

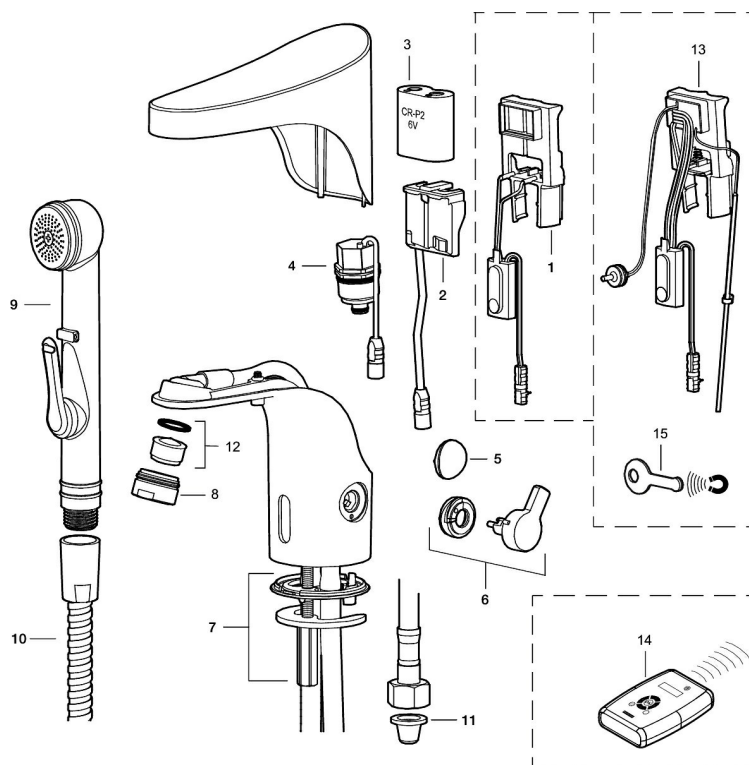
#### **Settings:**

- Adjustable max temperature
- With Gateway and WMS:
  - Hygiene flushing with adjustable time and intervals
  - Initiate hot water rinsing
  - Programming of rinsing times, temperature alarm och temperature stops
  - Alert signal if exceeding the time limit for stagnant water (the latest flushing)

## PRODUCT DESCRIPTION

### 9000E tronic WMS basin mixer, battery operation

Article number: 16416000



## Sparepartlist

NO.	FMM NO.	RSK	DESCRIPTION
1	16214000	8553501	Electronic unit, Stand.
1	16216000	8553503	Electronic unit, Centrally controlled
2	S600131	8483190	AC adapter
3	S600135	8483191	Battery
4	16201000	8553500	Solenoid valve
5	16222000	8553505	Cover plug
6	16221000	8553504	Lever
7	39141600	8553512	Fastening kit
8	29142400	8281526	Housing M24 ext., 13 mm
9	34582000	8183841	Self-closing hand shower
10	S600207	8236647	Shower hose, L=1,5 m, chrome
11	38800009	8295340	Filter kit Soft PEX 3/8", 2 pcs
12	29100500	8281532	Aerator insert, 5 l/min at 200–600 kPa
12	S600072	8281671	Aerator insert, 3 l/min at 200–600 kPa

<b>NO.</b>	<b>FMM NO.</b>	<b>RSK</b>	<b>DESCRIPTION</b>
13	16216100	8438811	Electronic unit, for WMS mixer
14	16250000	8553508	Remote control
15	S600150		Service magnet