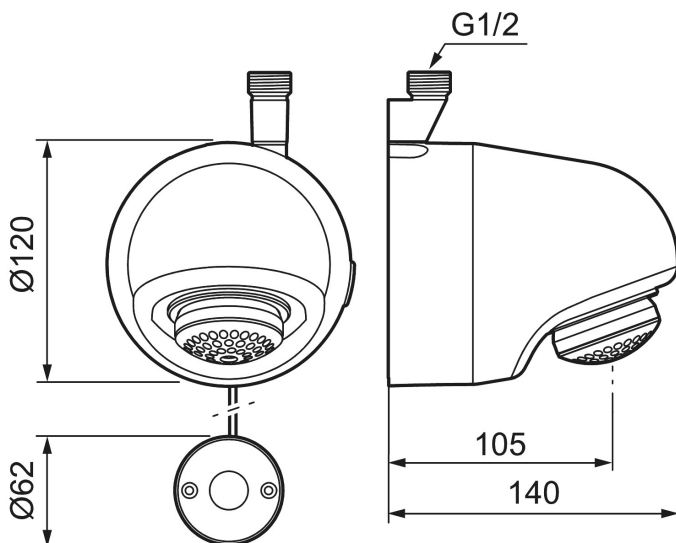




Unique characteristics



FM Mattsson tronic compact WMS, for premixed water, battery operation

Article number: 95160000

Description: Chrome, battery operation, included battery and mounting plate

- Tronic Copmpact with possibilities of wireless connection (subscription is required)
- With mixing valve
- Battery operation, can be converted to mains operation
- Connection up G1/2"
- Solenoid valve, shut-off valve and electronics integrated in the shower head
- Programmable start button. Rinsing time from 10–60 seconds, (30 seconds is the factory preset)
- Flush Timeout - safety shut-off to prevent flooding, maximum of 5 minutes
- Jet angle adjustable +/- 5°
- Flow limiter 9 l/min
- Can be turned off by solenoid valve (eg for cleaning)
- Low power consumption - Long life
- Equipped with system for thermal disinfection against legionella
- IP class sensor, IP67

Installation:

- The power cable between the shower head and the start button should ideally be placed in the joints between wall tiles or in a pipe, but take care not to damage the wall's moisture barrier
- Mains operation requires installation of the AC adapter FMM S600131, and power supply FMM S600129 alternatively transformer FMM S600128, plus extension cable FMM S600127

Tronic WMS:

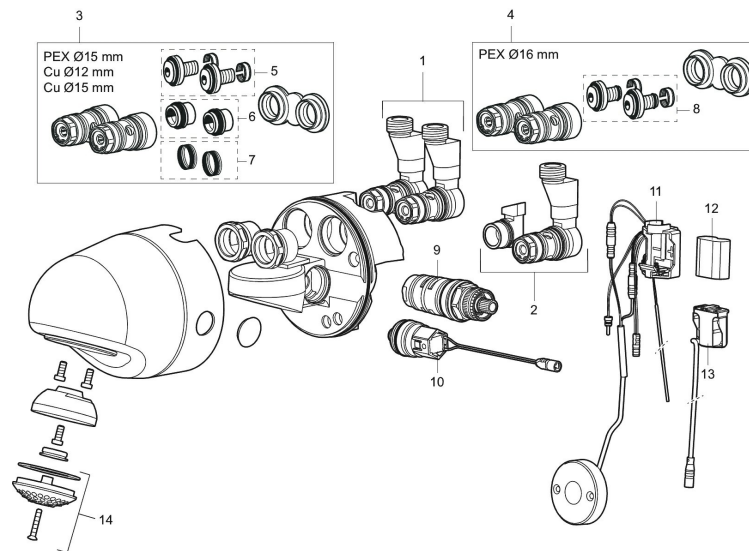
- Note! Gateway and subscription or dongle are required for the WMS function

- The following options are available with wireless connection to our Tronic WMS system:
- Programmable rinsing time from 10–60 seconds, (30 seconds is the factory preset)
- Selection of activation type:
 - Saving mode, set time, always flush at the same time, factory preset mode
 - Normal, rinsing time is extended if you press again before it stops
 - Switching mode, set time, reactivation interrupts flushing
- Adjustable hygiene flushing, interval and rinsing time (in order to prevent stagnant water)
- Logging of all flushings with point of time, water consumption and temperature for individual mixer or group of mixers (minimum, maximum and average values)
- Battery monitoring
- Built-in temperature measurements of mixed water temperature
- Programmable temperature stop, the mixer will turn off directly at set maximum temperature
- Initiate hot water rinsing

PRODUCT DESCRIPTION

FM Mattsson tronic compact
WMS, for premixed water,
battery operation

Article number: 95160000



Sparepartlist

NO.	FMM NO.	RSK	DESCRIPTION
1	28145000	8221805	Connectors, complete
2	28145100	8221807	Connector, complete
3	28141000	8221803	Mounting plate with connection for CU 12-15 and PEX 15
4	28141600	8221804	Mounting plate with connection for PEX 16, ALU-PEX 16
5	19451550	8221801	Coupling kit, PEX 15
6	19451250	8221799	Gasket kit, CU 12
7	19451500	8221800	Gasket kit, CU 15
8	19451600	8221802	Coupling kit, PEX 16
9	38147000	8221811	Thermostatic cartridge
10	16202000	8221794	Solenoid valve
11	16216600	8221793	Electronic unit
12	S600135	8483191	Battery
13	S600131	8483190	AC adapter
14	29182000	8221808	Shower strainer