



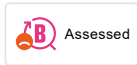
9000E bath mixer

Article number: 81920000

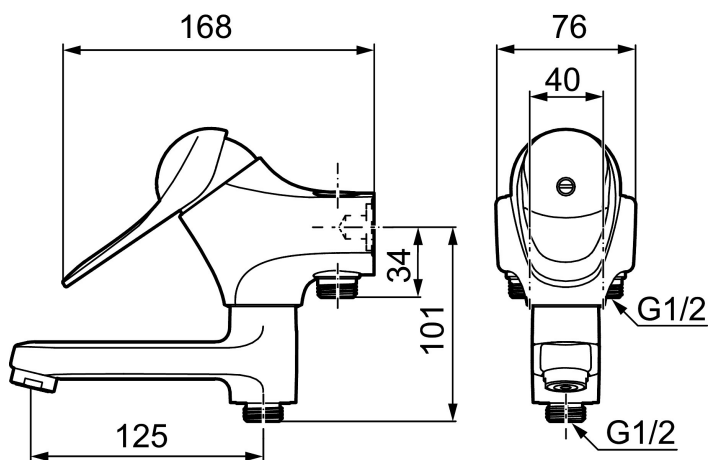
Description: Chrome, 40 c/c, pipe connection down

- Soft closing with ceramic cartridge
- Swivel spout with built-in diverter
- With ceramic sealed headwork
- With wall fixing
- Projection from wall 185 mm
- Approved non-return valves, EN-Standard EN1717

Uniqe characteristics



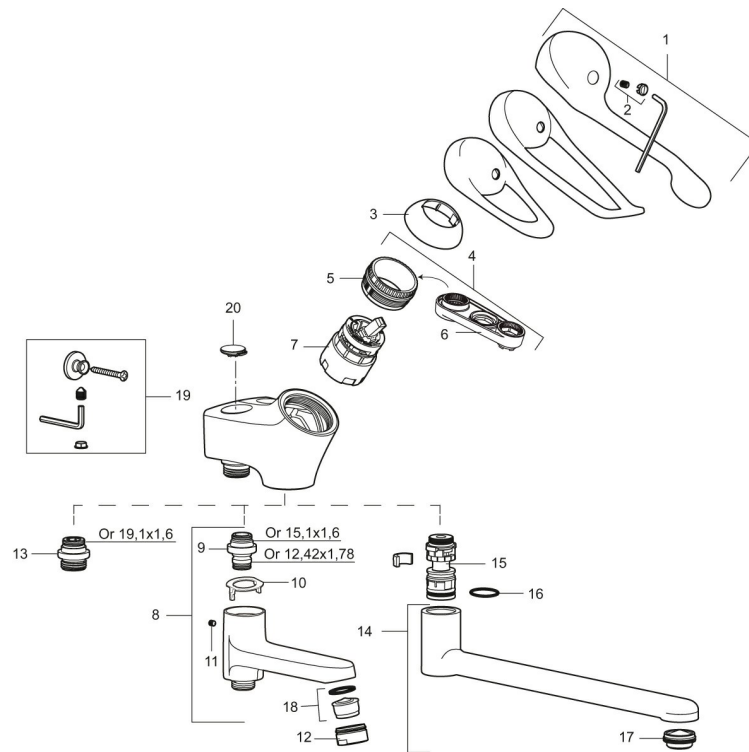
Backflow protection unit type **EB**



PRODUCT DESCRIPTION

9000E bath mixer

Article number: 81920000



Sparepartlist

NO.	FMM NO.	RSK	DESCRIPTION
1	58500000	8591936	Lever, complete, L=90 mm
1	58501750	8591937	Lever, complete, L=150 mm
1	58501800	8592048	Lever, complete, L=180 mm
2	58510000	8591944	Cover lid with colour marking
3	58520000	8591945	Cover sleeve
4	58530140	8241726	Fastening nipple with service tool
5	29390000	8295356	Fastening nipple
6	60770000	8591918	Service tool
7	59130009	8591972	Ceramic cartridge with tools, carton
7	59120009	8591949	Ceramic cartridge with service tool, cold start (green ring)
8	82990000	8154073	Swivel spout with integrated diverter
9	39754000	8591969	Nipple M18x1 with o-ring for bath mixer
10	38521000	8295345	Stop ring
11	38086000	8439701	Locking screw
12	29142400	8281526	Housing M24 ext., 13 mm

NO.	FMM NO.	RSK	DESCRIPTION
13	39710800	8591967	Nipple M18x1-G1/2 for shower mixer
14	35860250	8242303	Spout, L=250 mm, 7–9 l/min at 300 kPa
15	29888100	8241186	Nipple M18x1, without tongue
16	37801550	8295350	O-ring 15,54 x 2,62, 2 pcs
17	29120900	8242390	Aerator M24 ext., 7–9 l/min at 300 kPa, light green
18	29102650	8281547	Aerator insert, 20–24 l/min at 300 kPa
19	29712000	8591530	Wall bracket for 40 c/c mixers, complete
20	38692800	8591974	Cover, chrome, 2 pcs