



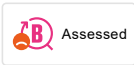
## 9000E bath mixer


An optimal fusion of design and function. The FM Mattsson 9000E range ushers in a new generation of mixers that are environmentally engineered down to the last detail. Even in its basic version, the mixer has our unique functions that ensure a constant water temperature and safe, reliable function. A new feature of these mixers is a cool mixer body. You'll never burn yourself on a 9000E mixer.

Article number: 82401000

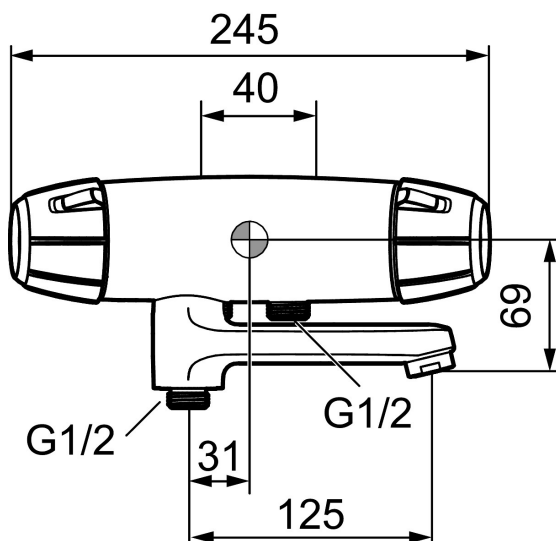
Description: Chrome, 40 c/c, pipe connection down

### Uniqe characteristics



Backflow protection unit type 

- Note! 40 c/c
- Pressure balanced thermostatic mixer
- Swivel spout with built-in diverter
- With ceramic sealed headwork
- With wall fixing
- Temperature handle with safety stop at 38°C
- With Eco-function
- Approved non-return valves, EN-Standard EN1717
- Spout projection from wall: 180 mm

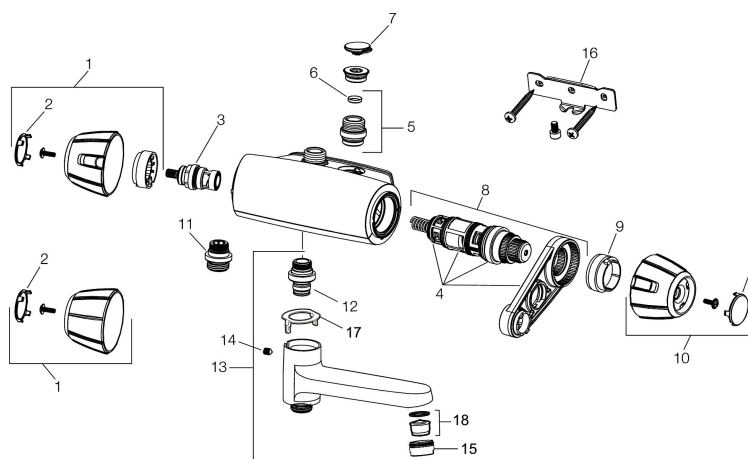


## PRODUCT DESCRIPTION

### 9000E bath mixer

An optimal fusion of design and function. The FM Mattsson 9000E range ushers in a new generation of mixers that are environmentally engineered down to the last detail. Even in its basic version, the mixer has our unique functions that ensure a constant water temperature and safe, reliable function. A new feature of these mixers is a cool mixer body. You'll never burn yourself on a 9000E mixer.

Article number: 82401000



## Sparepartlist

NO.	FMM NO.	RSK	DESCRIPTION
1	35781000	8592015	On/off handle, complete, chrome
1	35780040	8591995	On/off handle, complete, black
2	39031004	8592004	Cover, black, 2 pcs
3	35900800	8585849	Ceramic on/off headwork
4	38680009	8591701	Filter kit incl. o-rings and service tool
5	59820800	8591970	Inlet connector
6	38632006	8590311	Filter
7	38692800	8591974	Cover, chrome, 2 pcs
8	38601009	8591609	Thermostatic cartridge, complete, incl. service tool
9	38520007	8591592	Scalding protection ring, standard (black)
10	35780100	8591998	Temperature handle, complete, chrome
10	35780140	8591997	Temperature handle, complete, black
11	39710800	8591967	Nipple M18x1-G1/2 for shower mixer
12	39754000	8591969	Nipple M18x1 with o-ring for bath mixer
13	82990000	8154073	Swivel spout with integrated diverter
14	38086000	8439701	Locking screw

<b>NO.</b>	<b>FMM NO.</b>	<b>RSK</b>	<b>DESCRIPTION</b>
16	29710800	8591512	Wall plate, complete
17	38521000	8295345	Stop ring
18	29102650	8281547	Aerator insert, 20–24 l/min at 300 kPa