



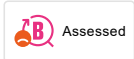
## 9000E bath mixer


**Article number:** 81920000

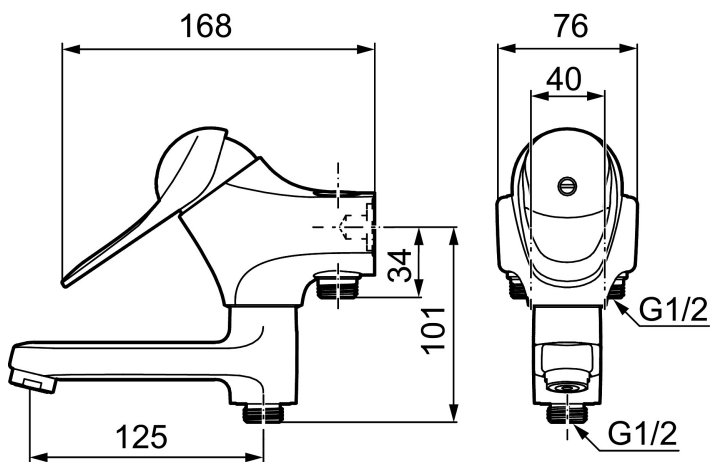
**Description:** Chrome, 40 c/c, pipe connection down

- Soft closing with ceramic cartridge
- Swivel spout with built-in diverter
- With ceramic sealed headwork
- With wall fixing
- Projection from wall 185 mm
- Approved non-return valves, EN-Standard EN1717

### Unique characteristics



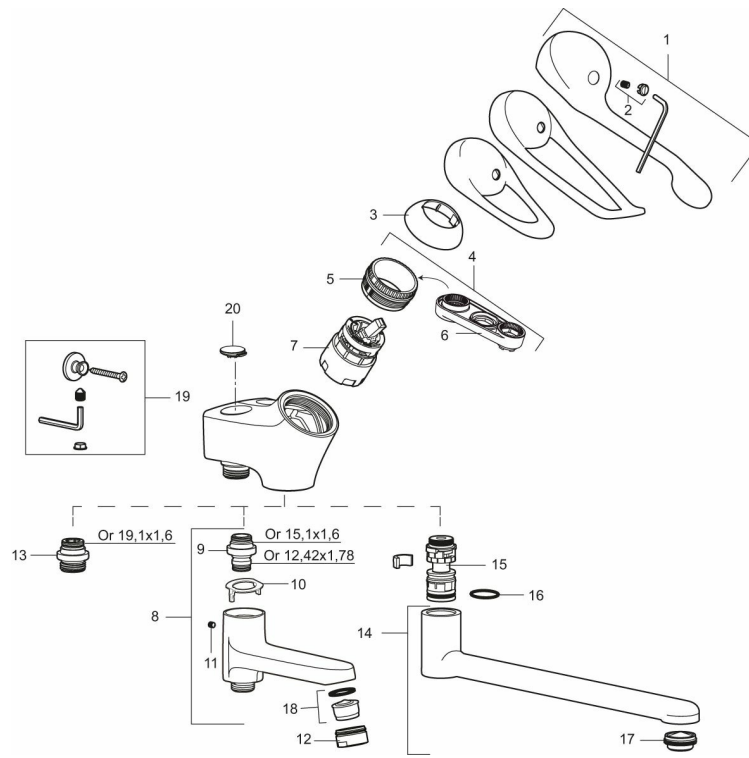
Backflow protection unit type  EB



## PRODUCT DESCRIPTION

### 9000E bath mixer

Article number: 81920000



## Sparepartlist

NO.	FMM NO.	RSK	DESCRIPTION
1	58500000	8591936	Lever, complete, L=90 mm
1	58501750	8591937	Lever, complete, L=150 mm
1	58501800	8592048	Lever, complete, L=180 mm
2	58510000	8591944	Cover lid with colour marking
3	58520000	8591945	Cover sleeve
4	58530140	8241726	Fastening nipple with service tool
5	29390000	8295356	Fastening nipple
6	S600298	3870203	Service tool
7	S600276	8387231	Ceramic cartridge, incl. service tool, 20 l/min
7	S600273	8387230	Ceramic cartridge with service tool, cold start (green ring)
8	82990000	8154073	Swivel spout with integrated diverter
9	39754000	8591969	Nipple M18x1 with o-ring for bath mixer
10	38521000	8295345	Stop ring
11	38086000	8439701	Locking screw
12	29142400	8281526	Housing M24 ext., 13 mm
13	39710800	8591967	Nipple M18x1-G1/2 for shower mixer

NO.	FMM NO.	RSK	DESCRIPTION
14	35860250	8242303	Spout, L=250 mm, 7–9 l/min at 300 kPa
15	29888100	8241186	Nipple M18x1, without tongue
16	37801550	8295350	O-ring 15,54 x 2,62, 2 pcs
17	29120900	8242390	Aerator M24 ext., 7–9 l/min at 300 kPa, light green
18	29102650	8281547	Aerator insert, 20–24 l/min at 300 kPa
19	29712000	8591530	Wall bracket for 40 c/c mixers, complete
20	38692800	8591974	Cover, chrome, 2 pcs