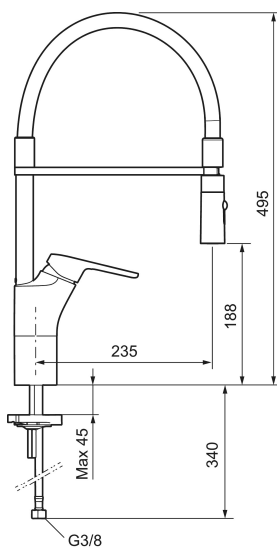




## Unique characteristics

Backflow protection unit type



## SILJAN flexi kitchen mixer

SILJAN flexi mixers boast FM Mattsson's well-known functions such as cold start, soft closing, flow control, a temperature limiter and an energy- and water-saving aerator. In addition to these benefits, SILJAN flexi mixers also have a detachable nozzle and a choice of jet settings.

Article number: 83100010 Flow 3 bar: 10.3 l/m

Description: Chrome

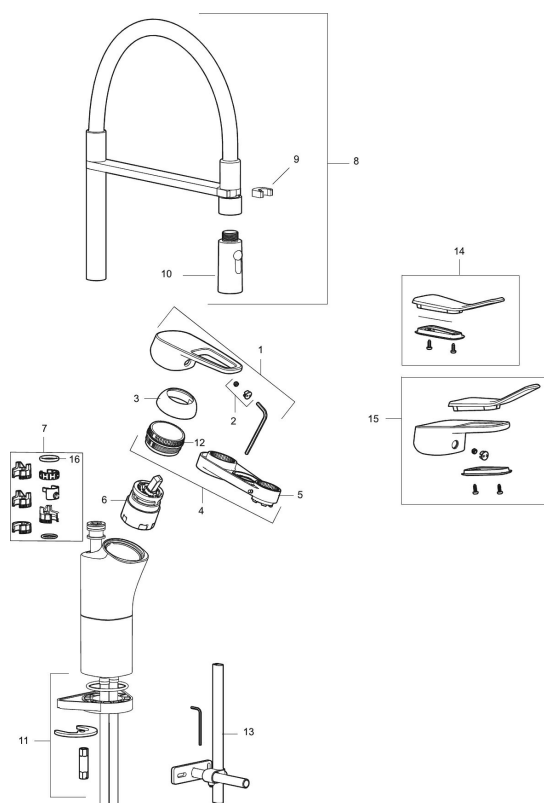
- Cold Start
- Ceramic cartridge with soft closing function
- Adjustable flow control and temperature limiter
- Hose, limitation part for 60°, 85°, 110° or 360° included
- Nozzle with concentrated jet and handshower
- Soft PEX® hoses with 3/8" connecting nut (stainless steel braided)
- Approved non-return valves, EN-Standard EN1717
- Hole diameter Ø34-37 mm

## PRODUCT DESCRIPTION

### SILJAN flexi kitchen mixer

SILJAN flexi mixers boast FM Mattsson's well-known functions such as cold start, soft closing, flow control, a temperature limiter and an energy- and water-saving aerator. In addition to these benefits, SILJAN flexi mixers also have a detachable nozzle and a choice of jet settings.

Article number: 83100010



## Sparepartlist

| NO. | FMM NO.  | RSK     | DESCRIPTION   |
|-----|----------|---------|---|
|     | 44450009 | 8295353 | Accessories (limitation segment, stop screw, allen wrench 3 mm) |
| 1   | 58501000 | 8592023 | Complete lever, chrome  |
| 2   | 58511000 | 8592021 | Cover lid with colour marking                                   |
| 3   | 58521000 | 8592020 | Cover sleeve, chrome  |
| 4   | 58530140 | 8241726 | Fastening nipple with service tool                              |
| 5   | 60770000 | 8591918 | Service tool  |
| 6   | 59120009 | 8591949 | Ceramic cartridge with service tool, cold start (green ring)    |
| 7   | 58641000 | 8594560 | Lock kit for swivel spout                                       |
| 8   | S600059  | 8394011 | Spout, complete, chrome   |
| 9   | S600061  | 8393993 | Spout mount   |
| 10  | S600060  | 8394012 | Nozzle  |

| <b>NO.</b> | <b>FMM NO.</b> | <b>RSK</b> | <b>DESCRIPTION</b>                                 |
|------------|----------------|------------|--|
| 11         | 39142800       | 8186893    | Fastening kit, for kitchen mixer with on/off valve |
| 12         | 29390000       | 8295356    | Fastening nipple                                   |
| 13         | 39147000       | 8592050    | Stabilizer kit                                     |
| 14         | 35974009       | 8592038    | Care-kit   |
| 15         | 58504000       | 8592049    | Care-lever, complete                               |
| 16         | 37801550       | 8295350    | O-ring 15,54 x 2,62, 2 pcs                         |