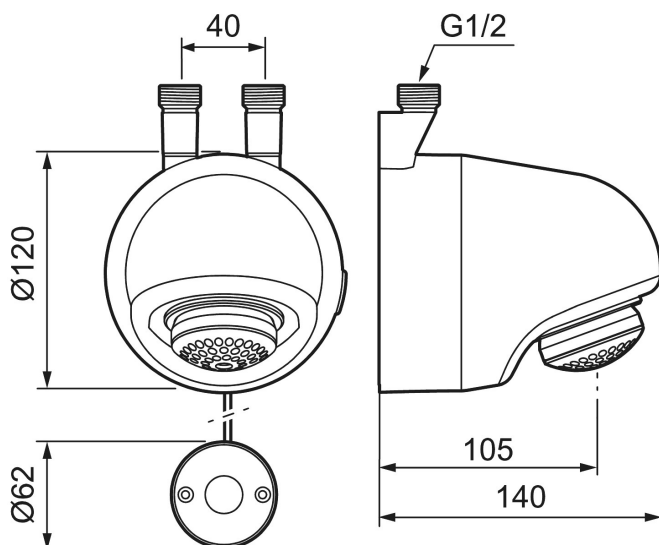




## Unique characteristics



## FM Mattsson tronic compact WMS, with thermostatic function, mains operation

### Tronic WMS:

- With wireless connection to the Tronic WMS system (gateway and subscription required) alternatives via Dongel (1616-1000) the following opportunities are obtained:
  - Programmable rinsing time from 10–60 seconds
  - Built-in temperature measurements (measures output water temperature)
  - Programmable temperature stop, the mixer will turn off directly at set maximum temperature
  - Flush time control, prevents overflow, maximum flush time 5 min.
  - Adjustable hygiene flushing, interval and flush time (to prevent water becoming stagnant)
  - Logging of all flushings with point of time, water consumption and temperature. - Only with WMS
  - Alarm via SMS or email – Only with WMS

**Article number:** 95176100

**Description:** Chrome, mains operation, included mounting plate and 5 m extension cable

- Tronic Copcompact with possibilities of wireless connection
- Thermostatic function, with adjustable temperature
- Mains operation (excl. transformer). Incl. AC adapter and 5 m extension cable
- Connection up G1/2"
- Solenoid valve, shut-off valve and electronics integrated in the shower head
- Programmable start button. Rinsing time from 10–60 seconds, (30 seconds is the factory preset)
- Flush Timeout - safety shut-off to prevent flooding, maximum of 5 minutes
- Jet angle adjustable +/- 5°
- Flow limiter 9 l/min
- Can be turned off by solenoid valve (eg for cleaning)

- Low power consumption - Long life
- Equipped with function for thermal disinfection against legionella
- IP class sensor, IP67

#### **Installation:**

- The power cable between the shower head and the start button should ideally be placed in the joints between wall tiles or in a pipe, but take care not to damage the wall's moisture barrier
- Mains operation requires installation of the power supply FMM S600129 alternatively transformer FMM S600128

#### **Tronic WMS:**

- Note! Gateway and subscription or dongle are required for the WMS function
- The following options are available with wireless connection to our Tronic WMS system:
- Programmable rinsing time from 10–60 seconds, (30 seconds is the factory preset)
- Selection of activation type:
  - Saving mode, set time, always flush at the same time, factory preset mode
  - Normal, rinsing time is extended if you press again before it stops
  - Switching mode, set time, reactivation interrupts flushing
- Adjustable hygiene flushing, interval and rinsing time (in order to prevent stagnant water)
- Logging of all flushings with point of time, water consumption and temperature for individual mixer or group of mixers (minimum, maximum and average values)
- Battery monitoring
- Built-in temperature measurements of mixed water temperature
- Programmable temperature stop, the mixer will turn off directly at set maximum temperature
- Initiate hot water rinsing

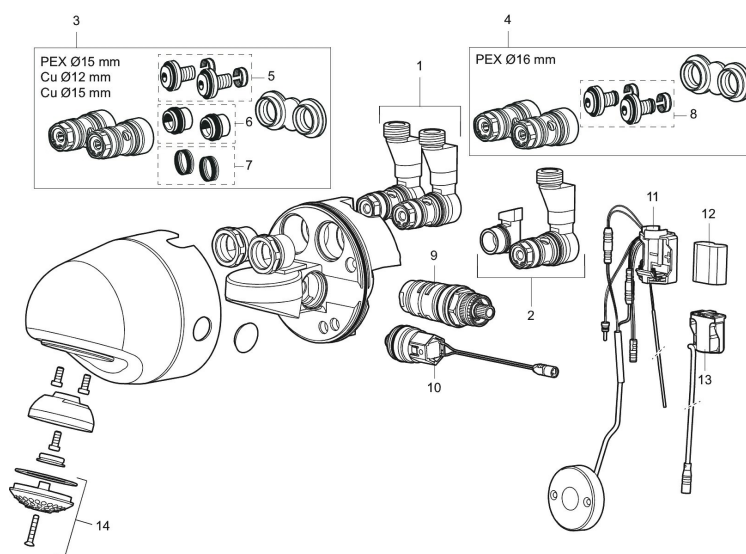
## PRODUCT DESCRIPTION

### FM Mattsson tronic compact WMS, with thermostatic function, mains operation

#### Tronic WMS:

- With wireless connection to the Tronic WMS system (gateway and subscription required) alternatives via Dongel (1616-1000) the following opportunities are obtained:
  - Programmable rinsing time from 10–60 seconds
  - Built-in temperature measurements (measures output water temperature)
  - Programmable temperature stop, the mixer will turn off directly at set maximum temperature
  - Flush time control, prevents overflow, maximum flush time 5 min.
  - Adjustable hygiene flushing, interval and flush time (to prevent water becoming stagnant)
  - Logging of all flushings with point of time, water consumption and temperature. - Only with WMS
  - Alarm via SMS or email – Only with WMS

Article number: 95176100



### Sparepartlist

NO.	FMM NO.	RSK	DESCRIPTION
1	28145000	8221805	Connectors, complete
2	28145100	8221807	Connector, complete
3	28141000	8221803	Mounting plate with connection for CU 12-15 and PEX 15
4	28141600	8221804	Mounting plate with connection for PEX 16, ALU-PEX 16
5	19451550	8221801	Coupling kit, PEX 15
6	19451250	8221799	Gasket kit, CU 12

NO.	FMM NO.	RSK	DESCRIPTION
7	19451500	8221800	Gasket kit, CU 15
8	19451600	8221802	Coupling kit, PEX 16
9	38147000	8221811	Thermostatic cartridge
10	16202000	8221794	Solenoid valve
11	16216600	8221793	Electronic unit
12	S600135	8483191	Battery
13	S600131	8483190	AC adapter
14	29182000	8221808	Shower strainer