



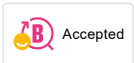
9000E tronic basin mixer, battery operation


FM Mattsson 9000E Tronic is a new generation of sensor operated mixers in Sweden. All technical parts are integrated in the mixer body for easy maintenance. The temperature is easily set by means of a lever at the side of the mixer. The lever can be fixed in order to secure the mixer against scalding or alternatively remove the lever if you need only a fixed temperature. There is also a programmable function for hygienic flush that prevents the water to be stagnant too long and thereby prevents bacteria to grow.

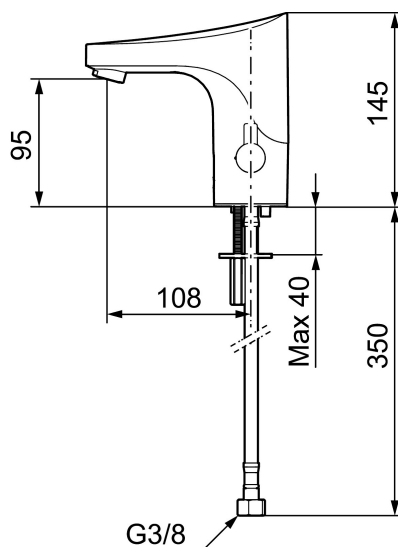
Article number: 16410000 **Flow 3 bar:** 5.5 l/m

Description: Chrome, battery operation, included battery

Unique characteristics



Backflow protection unit type 



- With temperature knob, battery operation (included battery)
- Soft closing solenoid valve
- Safe against vandalism, complete in metal
- Eco (energy and water saving constant flow aerator, 5 l/min at 200–600 kPa)
- Flush Timeout - safety shut-off to prevent flooding
- 30 sec. rinse time via sensor
- Can be turned off for 60 sec. (eg for cleaning)
- Low power consumption - Long life
- Equipped with system for thermal disinfection against legionella
- IP class sensor, IP67
- Approved non-return valves, EN-Standard EN1717
- Environmental friendly material, Lead free, Nickel Free

Installation:

- Automatic sensor calibration
- After adjusting to the desired temperature, knob can be replaced with a lid
- All models can be adapted for either battery 6V or mains operation 12V AC/DC
- For mains operation requires installation of the adapter kit FMM S600147

- Soft PEX[®] hoses with integrated non return valves and filters (stainless steel braided)
- Hole diameter Ø33,5-37 mm

Settings:

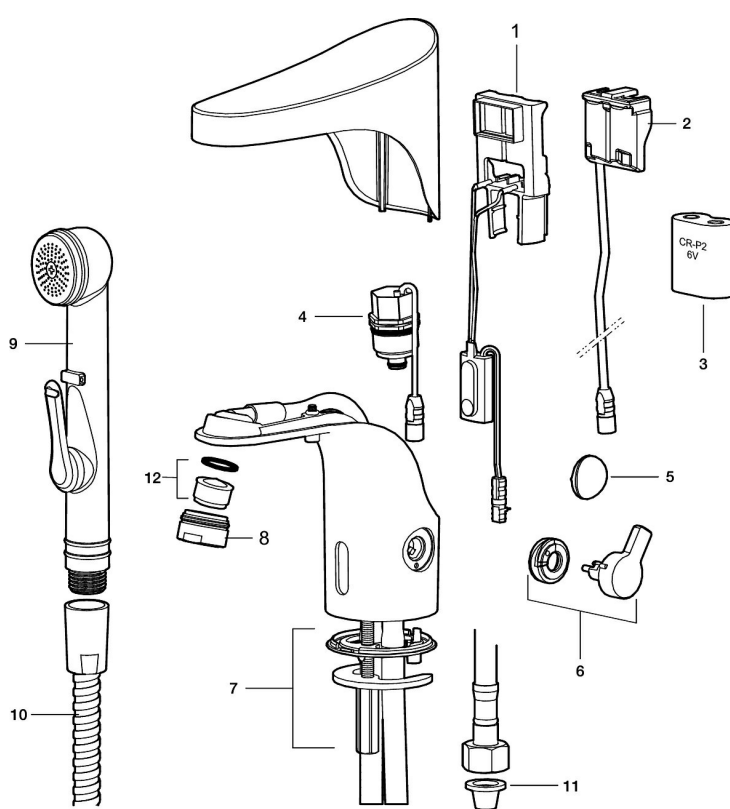
- Adjustable max temperature
- Programmable function for hygiene flushing
- Adjustable flush time

PRODUCT DESCRIPTION

9000E tronic basin mixer, battery operation

FM Mattsson 9000E Tronic is a new generation of sensor operated mixers in Sweden. All technical parts are integrated in the mixer body for easy maintenance. The temperature is easily set by means of a lever at the side of the mixer. The lever can be fixed in order to secure the mixer against scalding or alternatively remove the lever if you need only a fixed temperature. There is also a programmable function for hygienic flush that prevents the water to be stagnant too long and thereby prevents bacteria to grow.

Article number: 16410000



Sparepartlist

NO.	FMM NO.	RSK	DESCRIPTION
1	16214000	8553501	Electronic unit, Stand.
1	16216000	8553503	Electronic unit, Centrally controlled
2	S600131	8483190	AC adapter
3	S600135	8483191	Battery
4	16201000	8553500	Solenoid valve
5	16222000	8553505	Cover plug
6	16221000	8553504	Lever
7	39141600	8553512	Fastening kit

NO.	FMM NO.	RSK	DESCRIPTION
8	29142400	8281526	Housing M24 ext., 13 mm
9	34582000	8183841	Self-closing hand shower
10	S600207	8236647	Shower hose, L=1,5 m, chrome
11	38800009	8295340	Filter kit Soft PEX 3/8", 2 pcs
12	29100500	8281532	Aerator insert, 5 l/min at 200–600 kPa