



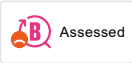
9000E II kitchen mixer

An optimal fusion of design and function. The FM Mattsson 9000E range ushers in a new generation of mixers that are environmentally engineered down to the last detail. The mixer brings beauty and technical perfection to your kitchen. Even in its basic version, the mixer has unique functions that save energy without compromising on comfort.

Article number: 80017000 **Flow 3 bar:** 5.0 l/m

Description: Chrome, 5 l/min at 200–600 kPa, LEED compliant, connection flat end Ø10 mm

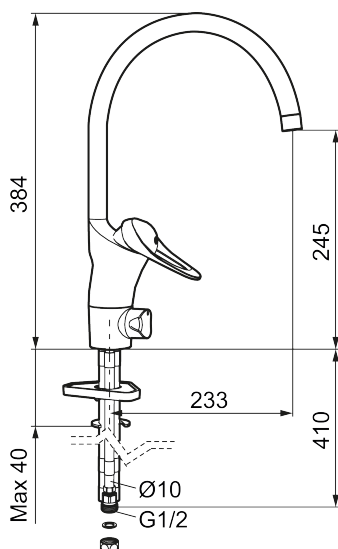
Unique characteristics



Backflow protection unit type



- Kitchen mixer with extra low flow, BREEAM and LEED compliant
- Cold Start
- Ceramic cartridge with soft closing function
- Adjustable flow control and temperature limiter
- Eco (energy and water saving constant flow aerator)
- Swivel spout, limitation part for 60°, 85°, 110° or 360° included
- With dish washer valve, switchable between cold and hot water. Pre-set on cold water
- Soft PEX® hoses (stainless steel braided)
- Hole diameter Ø34-37 mm

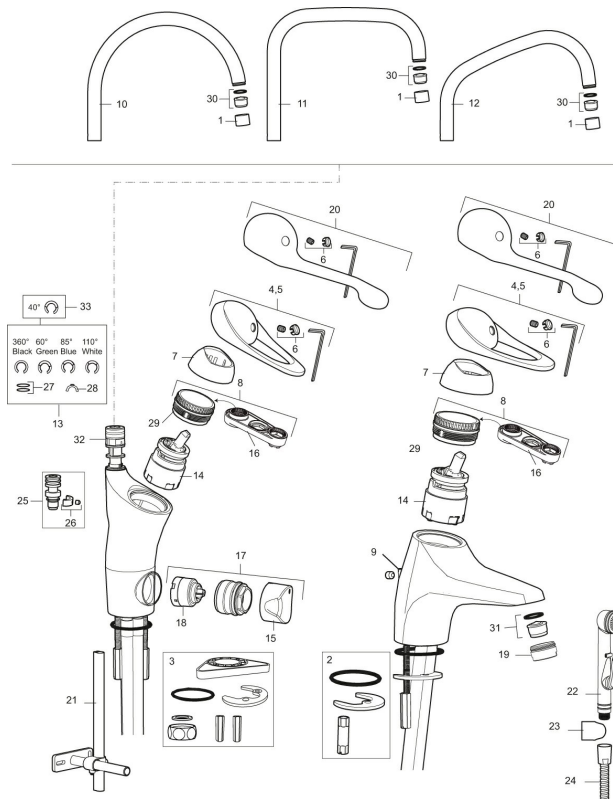


PRODUCT DESCRIPTION

9000E II kitchen mixer

An optimal fusion of design and function. The FM Mattsson 9000E range ushers in a new generation of mixers that are environmentally engineered down to the last detail. The mixer brings beauty and technical perfection to your kitchen. Even in its basic version, the mixer has unique functions that save energy without compromising on comfort.

Article number: 80017000



Sparepartlist

NO.	FMM NO.	RSK	DESCRIPTION
1	29142200	8281524	Housing M22 int.
2	39140800	8186891	Fastening kit for basin mixer
3	39142800	8186893	Fastening kit, for kitchen mixer with on/off valve
4	58500000	8591936	Lever, complete, L=90 mm
5	58501750	8591937	Lever, complete, L=150 mm
6	58510000	8591944	Cover lid with colour marking
7	58520000	8591945	Cover sleeve
8	58530140	8241726	Fastening nipple with service tool
9	58540000	8591940	Chain bracket
10	58600000	8154074	Spout, C-model

NO.	FMM NO.	RSK	DESCRIPTION
10	58630000	8154077	Spout for wash through mixer
11	58610000	8154075	Spout, U-model
12	58620000	8154076	Chrome
13	58640000	8594555	Lock kit for swivel spout
14	59115500	8591947	Ceramic cartridge with service tool, standard (red ring)
14	59120009	8591949	Ceramic cartridge with service tool, cold start (green ring)
14	59120000	8591769	Ceramic cartridge, cold start (green ring)
14	59126000	8591966	Ceramic cartridge with service tool, Eco Plus (green ring)
15	59280000	8591938	Knob for dishwasher
16	60770000	8591918	Service tool
17	59290000	8591939	On/off valve for dishwasher, complete
18	59271000	8591843	Ceramic cartridge for dishwasher
19	29142400	8281526	Housing M24 ext., 13 mm
20	58501800	8592048	Lever, complete, L=180 mm
21	39147000	8592050	Stabilizer kit
22	S600206	8233049	Self-closing hand shower, chrome
23	34093000	8186018	Wall bracket, chrome
24	S600207	8236647	Shower hose, L=1,5 m, chrome
25	37791000	8295341	Spout nipple, complete, for fixed spout
26	38081000	8295334	Stop screw with limitation segment
27	37801550	8295350	O-ring 15,54 x 2,62, 2 pcs
28	58642000	8295339	Fixed plug, 2 pcs, (black/grey)
29	29390000	8295356	Fastening nipple
30	29102290	8242220	Aerator insert, 7–9 l/min at 300kPa
30	29102890	8281533	Aerator insert, 10–13 l/min at 300kPa
31	29102910	8281534	Aerator insert, 5,5–6,5 l/min at 300kPa
31	29102710	8281528	Aerator insert, 9–11 l/min at 300kPa
31	29100500	8281532	Aerator insert, 5 l/min at 200–600 kPa
32	S600018	8394128	Spout nipple, complete
33	58644000	8594558	Limitation segment 40°