



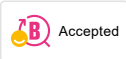
9000XE care basin mixer

Article number: 86504010 Flow 3 bar: 4.5 l/m

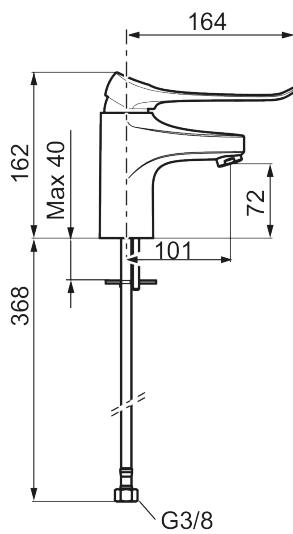
Description: Chrome

- Cold Start
- Ceramic cartridge with soft closing function
- Adjustable flow control and temperature limiter
- Eco Flow (energy and water saving aerator)
- Soft PEX[®] hoses with 3/8" connecting nut (stainless steel braided)
- Lead Free material
- Hole diameter Ø34-37 mm

Unique characteristics



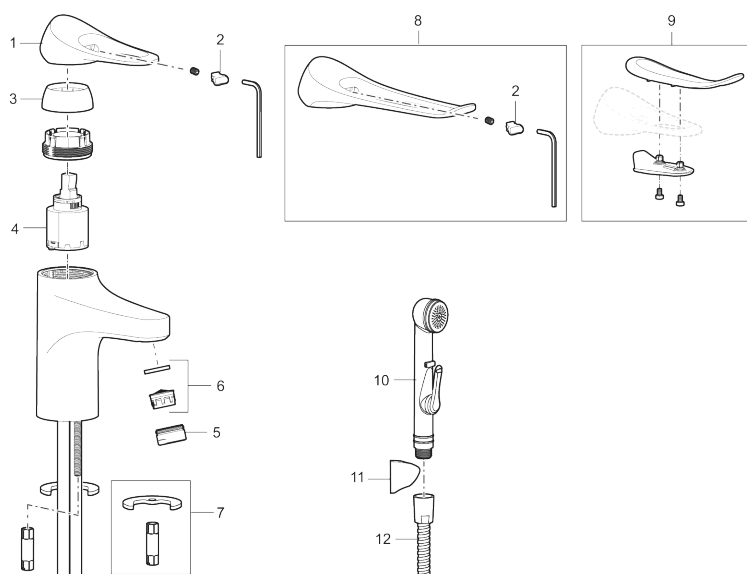
Backflow protection unit type



PRODUCT DESCRIPTION

9000XE care basin mixer

Article number: 86504010



Sparepartlist

| NO. | FMM NO. | RSK | DESCRIPTION |
|-----|------------|---------|---|
| 1 | S600096 | 8387022 | Lever, complete, chrome |
| 1 | S600096.75 | 8387024 | Lever, complete, Brushed chrome |
| 2 | S600097 | 8387025 | Cover lid with colour marking |
| 3 | S600101 | 8387029 | Cover sleeve, chrome |
| 3 | S600101.75 | 8387031 | Cover sleeve, brushed chrome |
| 4 | S600100 | 8387028 | Ceramic cartridge with tool, for kitchen mixer (LEED) and basin mixer |
| 4 | S600099 | 8387027 | Ceramic cartridge, for kitchen mixer (LEED) and basin mixer |
| 4 | S600178 | 8387036 | Ceramic cartridge with tools |
| 5 | S600156 | 8280014 | Housing M24 ext., 13 mm, chrome |
| 5 | S600156.75 | 8280015 | Housing M24 ext., 13 mm, brushed chrome |
| 6 | S600072 | 8281671 | Aerator insert, 3 l/min at 200–600 kPa |
| 6 | S600226 | 8280024 | Aerator insert, 1,7 l/min at 200–600 kPa |
| 7 | S600160 | 8387096 | Fastening kit, for basin mixer |
| 8 | S600175 | 8387083 | Care-lever, complete |
| 9 | S600106 | 8397001 | Care-kit |
| 10 | S600206 | 8233049 | Self-closing hand shower, chrome |
| 11 | S600157 | 8239542 | Wall bracket, chrome |
| 11 | S600157.75 | 8239544 | Wall bracket, børstet krom |
| 12 | S600152 | 8236561 | High-pressure shower hose, L=1,5 m, chrome |