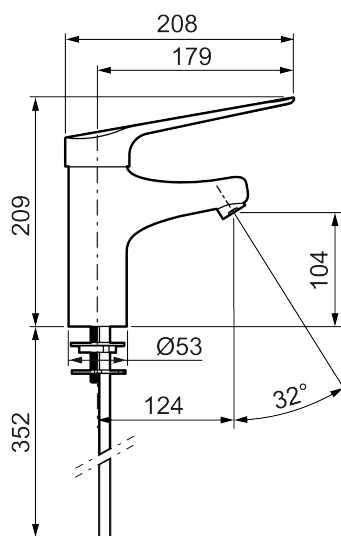




Unikke egenskaber



Tilbageløbssikring



Håndvaskarmatur MEDICARE

Basin mixer MEDICARE is made from a lead-free material and it have a clean visual design with round, smooth lines, and joints have been kept to a minimum. The mixer lever is 179 mm and has clear colour marks. The mixer also has a extra-long spouts to easily access the water jet. The aerator is angled at 32 degrees, which optimizes the aim of the water jet in the basin. The mixer also has FM Mattsson's well-known energy-saving solutions and functions such as cold start and soft closing.

About the collection

FM Mattsson MEDICARE collection has been designed in close collaboration with healthcare professionals. A new collection that emphasis on hygiene, accessibility and sustainability and has been developed to meet the specific needs of the healthcare sector and make daily life easier for people with reduced mobility and orientation capacity.

Artikel-nummer: 32504110 Flow 3 bar: 5,3 l/m

Beskrivelse: Krom

- Handicapvenligt.
- Greb: 179 mm.
- Koldstart.
- Soft Closing og keramisk kartusche.
- Indbygget temperatur- og flowbegrænser.
- Flowbegrænser (uden luftblanding) maksimalt vandforbrug 6 l/min ved 2–6 bar tryk, med vinkelbøjning på 32°.
- Tilslutning til Cu-rør Ø10 mm.
- Med forlænget tud for at mindske risikoen for, at strålebilledet rammer håndvaskens bundventil, tudfremspring 124 mm.
- Hygiejnisk design, greb og armaturenhed uden delelinjer.
- Lead Free (blyfri).
- Støjklasse 1 (ISO 3822)
- Hulstørrelse Ø28–37 mm.
- 5 års trykgaranti.

PRODUKTBESKRIVELSE

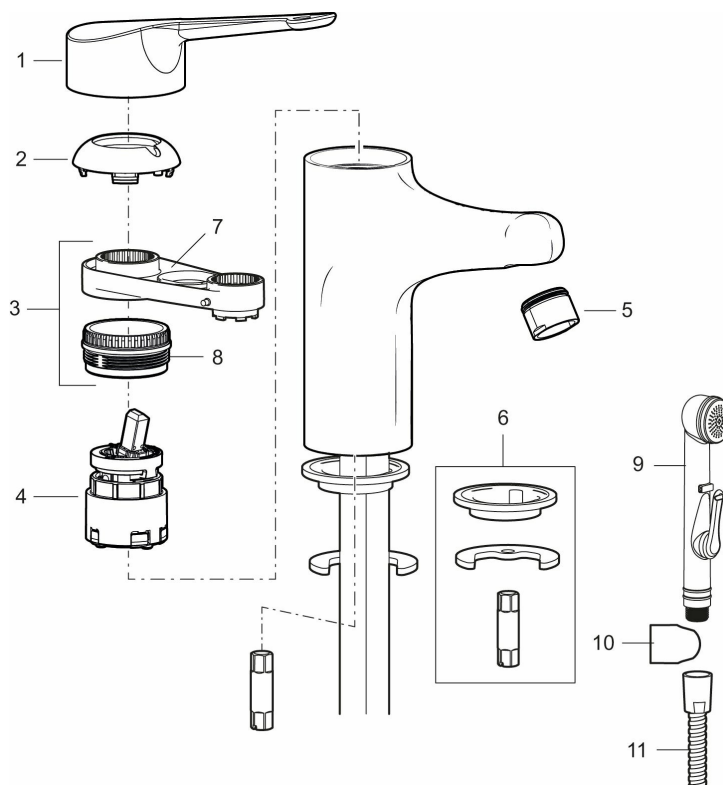
Håndvaskarmatur MEDICARE

Basin mixer MEDICARE is made from a lead-free material and it have a clean visual design with round, smooth lines, and joints have been kept to a minimum. The mixer lever is 179 mm and has clear colour marks. The mixer also has an extra-long spouts to easily access the water jet. The aerator is angled at 32 degrees, which optimizes the aim of the water jet in the basin. The mixer also has FM Mattsson's well-known energy-saving solutions and functions such as cold start and soft closing.

About the collection

FM Mattsson MEDICARE collection has been designed in close collaboration with healthcare professionals. A new collection that emphasis on hygiene, accessibility and sustainability and has been developed to meet the specific needs of the healthcare sector and make daily life easier for people with reduced mobility and orientation capacity.

Artikel-nummer: 32504110



Reservedelsliste

NR.	FMM-NR	VVS	BESKRIVELSE
1	S600063		Greb, 150 mm
1	S600062		Greb, 190 mm
2	S600064		Dækkappe

NR.	FMM-NR	VVS	BESKRIVELSE
3	58530140	745137420	Bespændingsnippel med serviceværktøj
4	S600273	745136006	Keramisk patron med værktøj, koldstart
5	S600065		Strålesamler M24 udv 6 l/min ved 2–6 bar
6	39140800	745137578	Monteringssæt til håndvaskarmaturer
7	60770000	745137712	Serviceværktøj
8	29390000		Nippel M42X1,5
9	S600206		Selvlukkende håndbruser, krom
10	34093000	738815114	Vægbeslag til håndbruser
11	S600207		Slange til håndbruser 1,5 m, krom