



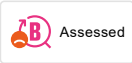
9000 kitchen mixer


The FM Mattsson 9000 kitchen mixer has a harmonious, classic design. Standard features include a hot water lock, adjustable flow control, a soft-close mechanism and a ceramic seal. These features eliminate the risk of scalding, and protect the pipes by preventing water hammering. With its popular, user-friendly design, this has been Sweden's best selling mixer for many years.

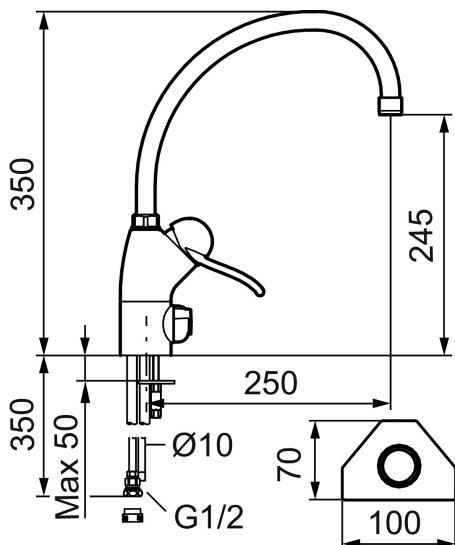
Article number: 91111000

Description: Chrome, Eco Flow, with CU Ø10 mm

Unique characteristics



Backflow protection unit type 



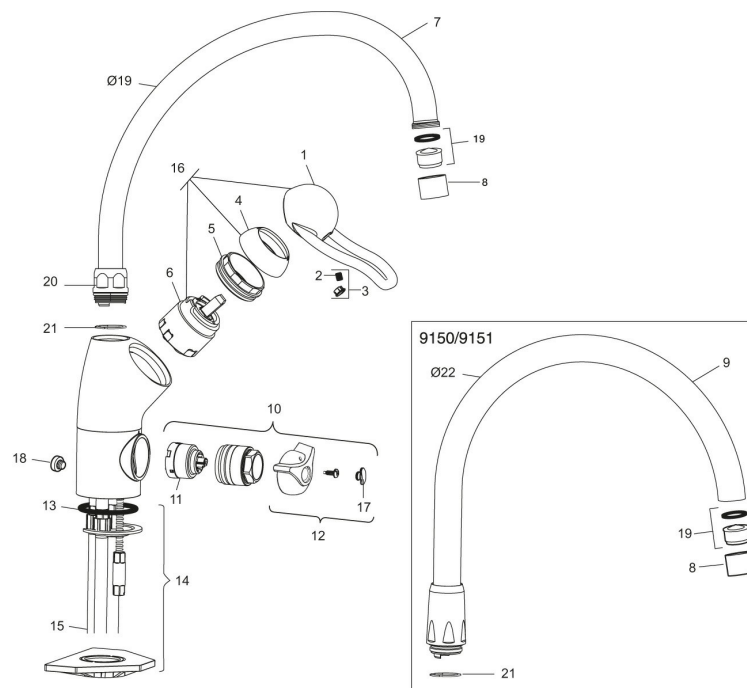
- Ceramic cartridge with soft closing function
- Adjustable flow control and temperature limiter
- Swivel spout 110°
- With dish washer valve, switchable between cold and hot water. Pre-set on cold water
- Hole diameter Ø28 mm

PRODUCT DESCRIPTION

9000 kitchen mixer

The FM Mattsson 9000 kitchen mixer has a harmonious, classic design. Standard features include a hot water lock, adjustable flow control, a soft-close mechanism and a ceramic seal. These features eliminate the risk of scalding, and protect the pipes by preventing water hammering. With its popular, user-friendly design, this has been Sweden's best selling mixer for many years.

Article number: 91111000



Sparepartlist

NO.	FMM NO.	RSK	DESCRIPTION
	37023000	8328831	Gasket kit, for Ø19 mm spout
	37022200	8328834	Gasket kit, for Ø22 mm spout
1	59310000	8591763	Lever, complete, L=110 mm, chrome
1	59311450	8591827	Lever, complete, L=145 mm, chrome
1	59351900	8591832	Lever, complete, L=190 mm, chrome (not loop handle)
1	59352900	8591833	Lever, complete, L=290 mm, chrome (not loop handle)
2	38731006	8591765	Lock screw
3	59320000	8591766	Cover lid with colour marking
4	59330000	8591829	Cover ring, chrome
5	38050002	8242233	Fastening nipple
6	59110000	8591770	Ceramic cartridge, not cold start (red ring)
6	59120000	8591769	Ceramic cartridge, cold start (green ring)

NO.	FMM NO.	RSK	DESCRIPTION
7	38170000	8154016	Spout, chrome
8	29142200	8281524	Housing M22 int.
9	59200000	8154050	Spout Ø22, chrome
10	59251000	8591834	On/off valve for dishwasher, complete
11	59271000	8591843	Ceramic cartridge for dishwasher
12	59261000	8591839	Knob for dishwasher
13	37802850	8141748	O-ring 42,2x3,0
14	39141000	8186888	Fastening kit, for mixers without on/off valve
14	39142000	8186890	Fastening kit, for mixers with on/off valve
15	39100500	8591857	Connection pipes, CU 10x363, raw brass (for mixers with on/off valve)
15	39101500	8591858	Connection pipes, CU 10x392, raw brass (for mixers without on/off valve)
16	59303000	8591821	Soft closing headwork, complete, with lever 110 mm, chrome
16	59306000	8591825	Soft closing headwork, complete, with lever 145 mm, chrome
16	59306190	8591852	Soft closing headwork, complete, with lever 190 mm, chrome (hospital model)
16	59306290	8591853	Soft closing headwork, complete, with lever 290 mm, chrome (hospital model)
17	39030000	8295347	End cover, chrome, 2 pcs
18	38740100	8295344	Plug M10x1
19	29102419	8909483	Aerator insert, 11-15 l/min at 300kPa
20	38871000	8154308	Sleeve nipple, chrome
21	59392009	8141761	Limitation rings