



9000XE shower mixer

9000XE shower mixer in brushed chrome is the successor to one of our best-selling shower mixers. Its design is as sophisticated as that of its predecessor, but it has been upgraded with double check valves, faster temperature regulation, lower weight and noise absorbing functions. This product comes with a mounting bracket 40-160 c/c and can be supplemented with a tub spout.

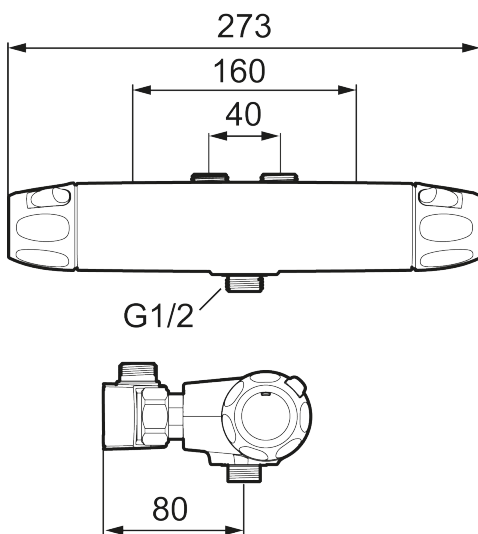
Article number: 86840003 **Flow 3 bar:** 12.2 l/m

Description: Brushed chrome, with reversible wall plate 40–160 c/c

Unique characteristics



Backflow protection unit type **EB**



- With shower connection down
- Pressure balanced thermostatic mixer
- With ceramic sealed headwork
- Temperature handle with safety stop at 38°C
- With Eco-function
- With reversible wall plate 40–160 c/c
- Pipe connection up or down
- Lead Free material
- Approved non-return valves, EN-Standard EN1717