



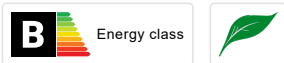
SILJAN head shower kit (bath mixer)


Our new FM Mattsson Siljan collection combines design with eco-friendly and energy-saving functions without compromising on comfort. The Siljan shower range includes a wide selection of overhead shower and hand shower sets. The showers can be combined with a Siljan thermostatic shower or bath mixer. Or make things simple by choosing one of our smart all-in-one overhead or hand shower sets.

Article number: 85931500 **Flow 3 bar:** 22.0 l/m

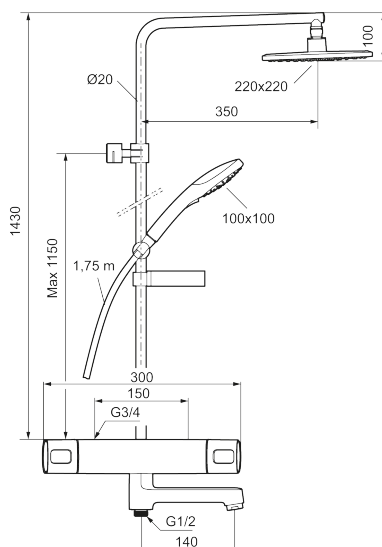
Description: Chrome, 150 c/c, Lead Free, energy class B

Unique characteristics



Backflow protection unit type 

- Safety mixer Siljan and head shower set Siljan
- With reversible headwork
- Svivel spout with integrated diverter
- Anti lime-scale head- and hand shower
- Eco Flow, hand shower 9 l/min and head shower 12 l/min
- Shower bar with slider, soap dish and wall bracket with sealing
- Shower pipe can be shortened if required
- Flexible wall bracket ± 5 mm in height and 50–100 mm from wall, 2x18 mm spacers included, with sealing, hidden pipe joint



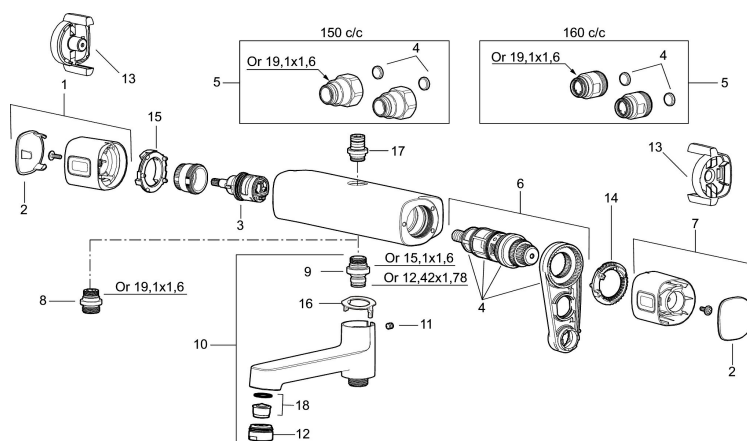
PRODUCT DESCRIPTION

SILJAN head shower kit (bath mixer)

Our new FM Mattsson Siljan collection combines design with eco-friendly and energy-saving functions without compromising on comfort. The Siljan shower range includes a wide selection of overhead shower and hand shower sets.

The showers can be combined with a Siljan thermostatic shower or bath mixer. Or make things simple by choosing one of our smart all-in-one overhead or hand shower sets.

Article number: 85931500



Sparepartlist

NO.	FMM NO.	RSK	DESCRIPTION
1	35480009	8592029	On/off handle, complete
2	39031500	8592052	End cover
3	35980009	8585850	Ceramic on/off headwork, reversible
4	38680009	8591701	Filter kit incl. o-rings and service tool
5	59800800	8592005	Inlet connectors, 160 c/c
5	59810800	8592006	Inlet connectors 150 c/c (left-handed thread)
6	38601009	8591609	Thermostatic cartridge, complete, incl. service tool
7	35480109	8592033	Temperature handle, complete
8	39710800	8591967	Nipple M18x1-G1/2 for shower mixer
9	39754000	8591969	Nipple M18x1 with o-ring for bath mixer
10	83990000	8154079	Swivel spout with integrated diverter
11	38086000	8439701	Locking screw
12	29142400	8281526	Housing M24 ext., 13 mm
13	35976209	8592039	Care-handle, black, 2 pcs
14	38523000	8592058	Scalding protection ring
15	38531000	8592059	Stop ring, standard

NO.	FMM NO.	RSK	DESCRIPTION
15	38531040	8592060	Stop ring, reversible
16	38521000	8295345	Stop ring
17	39716000		Nipple M18x1
18	29102650	8281547	Aerator insert, 20–24 l/min at 300 kPa