



9000XE bath mixer

9000XE bath tub mixer is a mixer in brushed chrome with carefully balanced pressure and temperature regulation, low weight, and noise absorbing as well as energy-saving functions. It is also equipped with double check valves for added safety.


Article number: 86900003 **Flow 3 bar:** 21.0 l/m

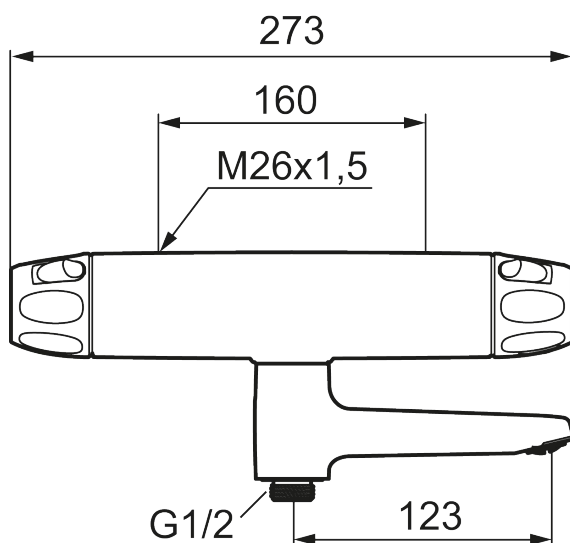
Description: Brushed chrome, 160 c/c

- Pressure balanced thermostatic mixer
- Swivel spout with built-in diverter
- With ceramic sealed headwork
- Temperature handle with safety stop at 38°C
- With Eco-function
- Lead Free material
- Approved non-return valves, EN-Standard EN1717

Unique characteristics



Backflow protection unit type 

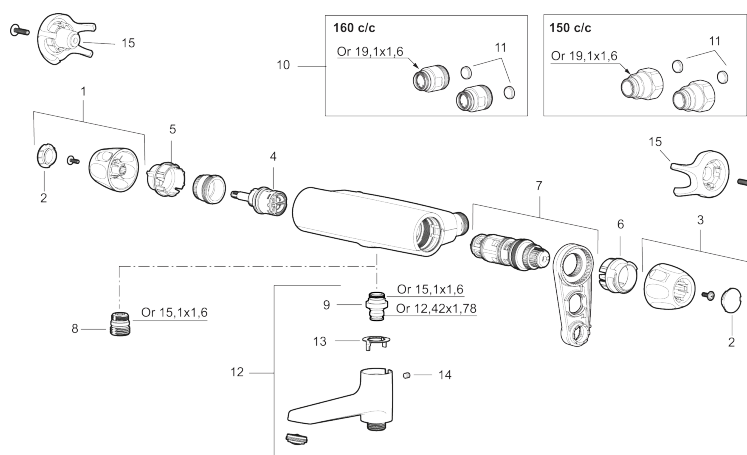


PRODUCT DESCRIPTION

9000XE bath mixer

9000XE bath tub mixer is a mixer in brushed chrome with carefully balanced pressure and temperature regulation, low weight, and noise absorbing as well as energy-saving functions. It is also equipped with double check valves for added safety.

Article number: 86900003



Sparepartlist

| NO. | FMM NO. | RSK | DESCRIPTION |
|-----|------------|---------|--|
| 1 | S600083 | 8218917 | On/off handle, complete, krom |
| 1 | S600083.75 | 8218919 | On/off handle, complete, brushed chrome |
| 2 | S600116 | 8218920 | End cover, chrome |
| 2 | S600116.75 | 8218922 | End cover, brushed chrome |
| 3 | S600082 | 8218914 | Temperature handle, complete, chrome |
| 3 | S600082.75 | 8218916 | Temperature handle, complete, brushed chrome |
| 4 | S600020 | 8441462 | Ceramic headwork, with service tool (shower mixer) |
| 4 | S600021 | 8441463 | Ceramic headwork, with service tool (bath mixer) |
| 5 | S600086 | 8439710 | Stop ring, standard |
| 6 | S600087 | 8439711 | Scalding protection ring |
| 6 | S600026 | 8439708 | Scalding protection ring, max 42 °C |
| 7 | S600084 | 8439709 | Thermostatic cartridge, complete, incl. service tool |
| 8 | S600088 | 8439712 | Nipple M18x1–G1/2 for shower mixer |
| 9 | 39754000 | 8591969 | Nipple M18x1 with o-ring for bath mixer |
| 10 | 59800800 | 8592005 | Inlet connectors, 160 c/c |
| 11 | 38632006 | 8590311 | Filter |
| 12 | S600077 | 8241000 | Swivel spout with integrated diverter, chrome |

| NO. | FMM NO. | RSK | DESCRIPTION |
|------------|----------------|------------|---|
| 12 | S600077.75 | 8357750 | Swivel spout with integrated diverter, brushed chrome |
| 13 | 38521000 | 8295345 | Stop ring |
| 14 | 38086000 | 8439701 | Locking screw |
| 15 | S600105 | 8439713 | Care-handle, black, 2 pcs |