



## 9000XE kitchen mixer


9000XE kitchen mixer with C-spout with dishwasher valve in chrome suits any kitchen, whatever its size. This kitchen mixer is lead-free and equipped with our smart, innovative, energy-saving functions such as cold start, soft closing, a temperature limiter function and an energy- and water-saving aerator. Its timeless, practical design makes it a functional and aesthetically durable addition to any modern home.

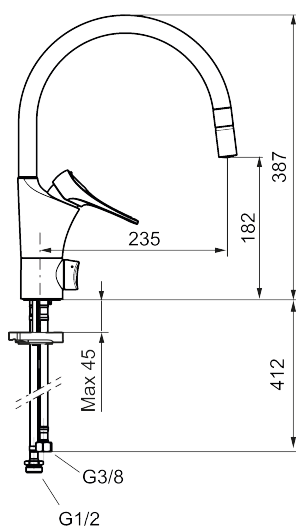
**Article number:** 86013010 **Flow 3 bar:** 6.0 l/m

**Description:** Chrome

### Unique characteristics



Backflow protection unit type 



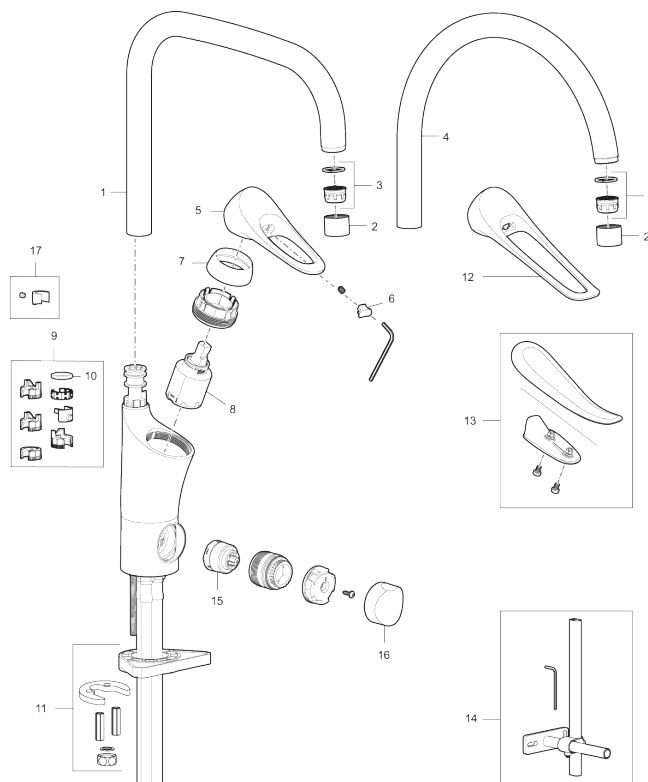
- With ball-jointed aerator
- Cold Start
- Ceramic cartridge with soft closing function
- Adjustable flow control and temperature limiter
- Eco Flow (energy and water saving aerator)
- Swivel spout, limitation part for 60°, 85°, 110° or 360° included
- With dish washer valve, switchable between cold and hot water. Pre-set on cold water
- Soft PEX<sup>®</sup> hoses with 3/8" connecting nut (stainless steel braided)
- Lead Free material
- Hole diameter Ø34-37 mm

## PRODUCT DESCRIPTION

### 9000XE kitchen mixer

9000XE kitchen mixer with C-spout with dishwasher valve in chrome suits any kitchen, whatever its size. This kitchen mixer is lead-free and equipped with our smart, innovative, energy-saving functions such as cold start, soft closing, a temperature limiter function and an energy- and water-saving aerator. Its timeless, practical design makes it a functional and aesthetically durable addition to any modern home.

Article number: 86013010



### Sparepartlist

| NO. | FMM NO.    | RSK     | DESCRIPTION                             |
|-----|------------|---------|---|
| 1   | S600103    | 8387035 | Spout, U-model, chrome                  |
| 1   | S600103.75 | 8387037 | Spout, U-model, brushed chrome          |
| 2   | S600155    | 8280012 | Housing M22 int., chrome                |
| 2   | S600155.75 | 8280013 | Housing M22 int., brushed chrome        |
| 3   | 29102910   | 8281534 | Aerator insert, 5,5–6,5 l/min at 300kPa |
| 3   | 29100500   | 8281532 | Aerator insert, 5 l/min at 200–600 kPa  |
| 3   | S600072    | 8281671 | Aerator insert, 3 l/min at 200–600 kPa  |
| 4   | S600102    | 8387032 | Spout, C-model, chrome                  |
| 4   | S600102.75 | 8387034 | Spout, C-model, brushed chrome          |
| 5   | S600096    | 8387022 | Lever, complete, chrome                 |

| NO. | FMM NO.    | RSK     | DESCRIPTION   |
|-----|------------|---------|---|
| 5   | S600096.75 | 8387024 | Lever, complete, Brushed chrome   |
| 6   | S600097    | 8387025 | Cover lid with colour marking   |
| 7   | S600101    | 8387029 | Cover sleeve, chrome  |
| 7   | S600101.75 | 8387031 | Cover sleeve, brushed chrome  |
| 8   | S600098    | 8387026 | Ceramic cartridge with tool, for kitchen mixers                           |
| 8   | S600209    | 8387039 | Ceramic cartridge, without tool, for kitchen mixers                       |
| 8   | S600100    | 8387028 | Ceramic cartridge with tool, for kitchen mixer (LEED) and basin mixer     |
| 8   | S600099    | 8387027 | Ceramic cartridge, without tool, for kitchen mixer (LEED) and basin mixer |
| 9   | 58641000   | 8594560 | Lock kit for swivel spout   |
| 10  | 37801550   | 8295350 | O-ring 15,54 x 2,62, 2 pcs  |
| 11  | S600159    | 8387097 | Fastening kit, for kitchen mixer  |
| 12  | S600175    | 8387083 | Care-lever, complete  |
| 13  | S600106    | 8397001 | Care-kit  |
| 14  | S600308    | 8387263 | Stabilizer kit  |
| 15  | S600337    | 8346905 | Ceramic cartridge for dishwasher, with service tool                       |
| 15  | S600316    | 8387265 | Ceramic cartridge for dishwasher, without service tool                    |
| 16  | S600104    | 8387038 | Knob for dishwasher, chrome   |
| 17  | S600140    | 8387023 | Stop screw with limitation segment, for fixed spout                       |