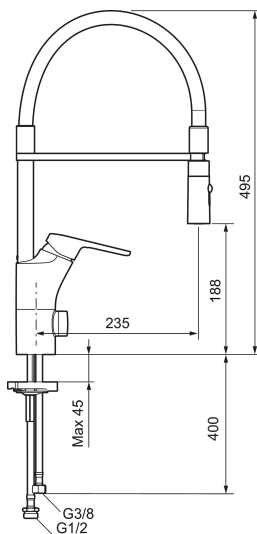




Unique characteristics

Backflow protection unit type



SILJAN flexi kitchen mixer

SILJAN flexi mixers boast FM Mattsson's well-known functions such as cold start, soft closing, flow control, a temperature limiter and an energy- and water-saving aerator. In addition to these benefits, SILJAN flexi mixers also have a detachable nozzle and a choice of jet settings.

Article number: 83110010 Flow 3 bar: 10.3 l/m

Description: Chrome

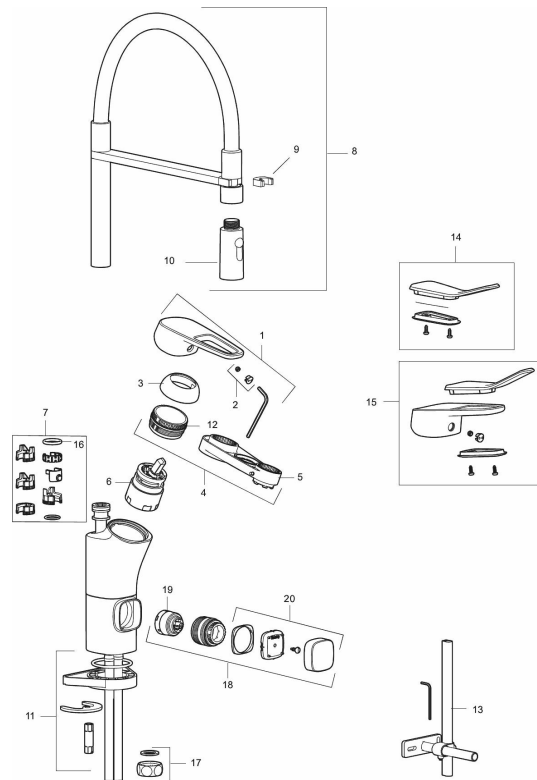
- Cold Start
- Ceramic cartridge with soft closing function
- Adjustable flow control and temperature limiter
- Hose, limitation part for 60°, 85°, 110° or 360° included
- Nozzle with concentrated jet and handshower
- With dish washer valve, switchable between cold and hot water. Pre-set on cold water
- Soft PEX[®] hoses with 3/8" connecting nut (stainless steel braided)
- Approved non-return valves, EN-Standard EN1717
- Hole diameter Ø34-37 mm

PRODUCT DESCRIPTION

SILJAN flexi kitchen mixer

SILJAN flexi mixers boast FM Mattsson's well-known functions such as cold start, soft closing, flow control, a temperature limiter and an energy- and water-saving aerator. In addition to these benefits, SILJAN flexi mixers also have a detachable nozzle and a choice of jet settings.

Article number: 83110010



Sparepartlist

NO.	FMM NO.	RSK	DESCRIPTION
	44450009	8295353	Accessories (limitation segment, stop screw, allen wrench 3 mm)
1	58501000	8592023	Complete lever, chrome
2	58511000	8592021	Cover lid with colour marking
3	58521000	8592020	Cover sleeve, chrome
4	58530140	8241726	Fastening nipple with service tool
5	60770000	8591918	Service tool
6	S600273	8387230	Ceramic cartridge with service tool, cold start (green ring)
7	58641000	8594560	Lock kit for swivel spout
8	S600059	8394011	Spout, complete, chrome
9	S600061	8393993	Spout mount
10	S600060	8394012	Nozzle
11	39142800	8186893	Fastening kit, for kitchen mixer with on/off valve

NO.	FMM NO.	RSK	DESCRIPTION
12	29390000	8295356	Fastening nipple
13	39147000	8592050	Stabilizer kit
14	35974009	8592038	Care-kit
15	58504000	8592049	Care-lever, complete
16	37801550	8295350	O-ring 15,54 x 2,62, 2 pcs
17	29651501	8531502	Rough chrome plated
18	59291000	8186896	On/off valve for dishwasher, complete
19	59271000	8591843	Ceramic cartridge for dishwasher
20	58281000	8592036	Knob for dishwasher, chrome