



9000XE flexi kitchen mixer

9000XE kitchen mixer with flexi-spout in chrome has a detachable hand shower. With a detachable spout and a choice of jet settings, it is versatile, practical and flexible.

This kitchen mixer is lead-free and equipped with our smart, innovative, energy-saving functions such as cold start, soft closing, a temperature limiter function and an energy- and water-saving aerator.

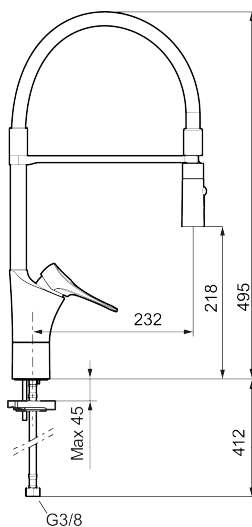
Article number: 86130010 **Flow 3 bar:** 6.0 l/m

Description: Chrome

Unique characteristics



Backflow protection unit type **EB**



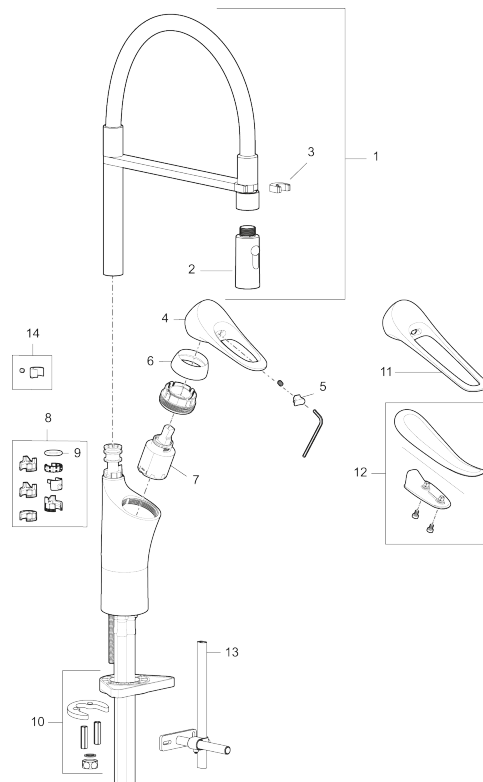
- Cold Start
- Ceramic cartridge with soft closing function
- Adjustable flow control and temperature limiter
- Hose, limitation part for 60°, 85°, 110° or 360° included
- Nozzle with concentrated jet and handshower
- Soft PEX® hoses with 3/8" connecting nut (stainless steel braided)
- Approved non-return valves, EN-Standard EN1717
- Lead Free material
- Hole diameter Ø34-37 mm

PRODUCT DESCRIPTION

9000XE flexi kitchen mixer

9000XE kitchen mixer with flexi-spout in chrome has a detachable hand shower. With a detachable spout and a choice of jet settings, it is versatile, practical and flexible. This kitchen mixer is lead-free and equipped with our smart, innovative, energy-saving functions such as cold start, soft closing, a temperature limiter function and an energy- and water-saving aerator.

Article number: 86130010



Sparepartlist

NO.	FMM NO.	RSK	DESCRIPTION
1	S600059	8394011	Spout, complete, chrome
1	S600059.75	8387088	Spout, complete, brushed chrome
2	S600060	8394012	Nozzle
3	S600061	8393993	Spout mount
4	S600096	8387022	Lever, complete, chrome
4	S600096.75	8387024	Lever, complete, Brushed chrome
5	S600097	8387025	Cover lid with colour marking
6	S600101	8387029	Cover sleeve, chrome
6	S600101.75	8387031	Cover sleeve, brushed chrome
7	S600100	8387028	Ceramic cartridge with tool, for kitchen mixer (LEED) and basin mixer

NO.	FMM NO.	RSK	DESCRIPTION
7	S600099	8387027	Ceramic cartridge, without tool, for kitchen mixer (LEED) and basin mixer
8	58641000	8594560	Lock kit for swivel spout
9	37801550	8295350	O-ring 15,54 x 2,62, 2 pcs
10	S600159	8387097	Fastening kit, for kitchen mixer
11	S600175	8387083	Care-lever, complete
12	S600106	8397001	Care-kit
13	S600308	8387263	Stabilizer kit
14	S600140	8387023	Stop screw with limitation segment, for fixed spout