



9000E tronic basin mixer, battery operation


FM Mattsson 9000E Tronic is a new generation of sensor operated mixers in Sweden. All technical parts are integrated in the mixer body for easy maintenance. The temperature is easily set by means of a lever at the side of the mixer. The lever can be fixed in order to secure the mixer against scalding or alternatively remove the lever if you need only a fixed temperature. There is also a programmable function for hygienic flush that prevents the water to be stagnant too long and thereby prevents bacteria to grow.

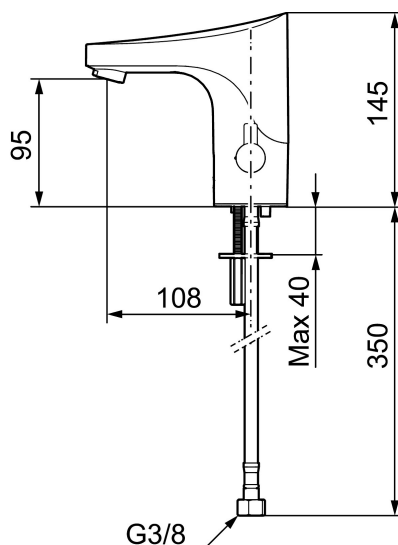
Article number: 16410002 **Flow 3 bar:** 5.5 l/m

Description: Black PVD, battery operation, included battery

Unique characteristics



Backflow protection unit type 



- With temperature knob, battery operation (included battery)
- Soft closing solenoid valve
- Safe against vandalism, complete in metal
- Eco (energy and water saving constant flow aerator, 5 l/min at 200–600 kPa)
- Flush Timeout - safety shut-off to prevent flooding
- 30 sec. rinse time via sensor
- Can be turned off for 60 sec. (eg for cleaning)
- Low power consumption - Long life
- Equipped with system for thermal disinfection against legionella
- IP class sensor, IP67
- Approved non-return valves, EN-Standard EN1717
- Environmental friendly material, Lead free, Nickel Free

Installation:

- Automatic sensor calibration
- After adjusting to the desired temperature, knob can be replaced with a lid
- All models can be adapted for either battery 6V or mains operation 12V AC/DC
- For mains operation requires installation of the adapter kit FMM S600147

- Soft PEX[®] hoses with integrated non return valves and filters (stainless steel braided)
- Hole diameter Ø33,5-37 mm

Settings:

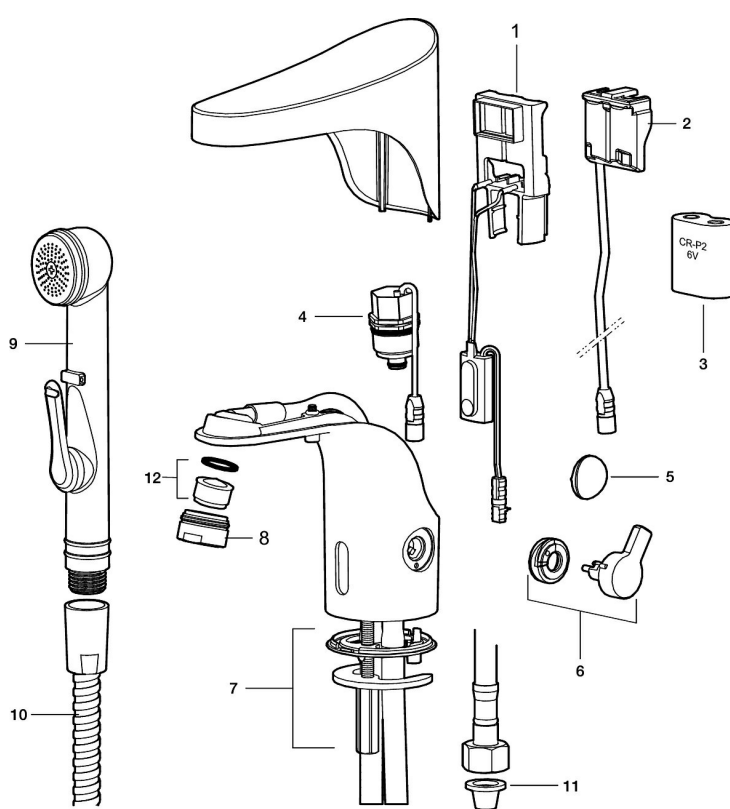
- Adjustable max temperature
- Programmable function for hygiene flushing
- Adjustable flush time

PRODUCT DESCRIPTION

9000E tronic basin mixer, battery operation

FM Mattsson 9000E Tronic is a new generation of sensor operated mixers in Sweden. All technical parts are integrated in the mixer body for easy maintenance. The temperature is easily set by means of a lever at the side of the mixer. The lever can be fixed in order to secure the mixer against scalding or alternatively remove the lever if you need only a fixed temperature. There is also a programmable function for hygienic flush that prevents the water to be stagnant too long and thereby prevents bacteria to grow.

Article number: 16410002



Sparepartlist

| NO. | FMM NO. | RSK | DESCRIPTION |
|-----|----------|---------|---------------------------------------|
| 1 | 16214000 | 8553501 | Electronic unit, Stand. |
| 1 | 16216000 | 8553503 | Electronic unit, Centrally controlled |
| 2 | S600131 | 8483190 | AC adapter |
| 3 | S600135 | 8483191 | Battery |
| 4 | 16201000 | 8553500 | Solenoid valve |
| 5 | 16222000 | 8553505 | Cover plug |
| 6 | 16221000 | 8553504 | Lever |
| 7 | 39141600 | 8553512 | Fastening kit |

| NO. | FMM NO. | RSK | DESCRIPTION |
|------------|----------------|------------|--|
| 8 | 29142400 | 8281526 | Housing M24 ext., 13 mm |
| 9 | 34582000 | 8183841 | Self-closing hand shower |
| 10 | S600207 | 8236647 | Shower hose, L=1,5 m, chrome |
| 11 | 38800009 | 8295340 | Filter kit Soft PEX 3/8", 2 pcs |
| 12 | 29100500 | 8281532 | Aerator insert, 5 l/min at 200–600 kPa |