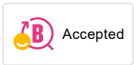

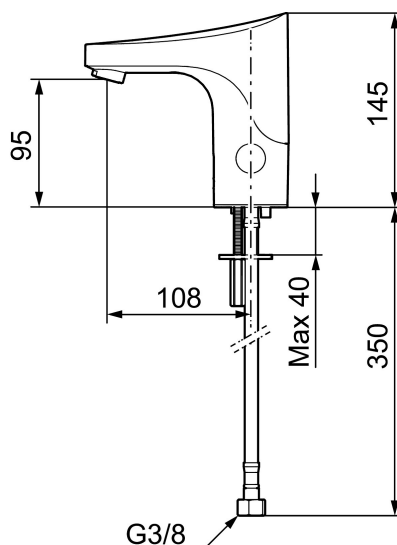




## Unique characteristics



Backflow protection unit type 



## 9000E tronic basin mixer, for premixed water, mains operation

FM Mattsson 9000E Tronic is a new generation of sensor operated mixers in Sweden. All technical parts are integrated in the mixer body for easy maintenance. There is also a programmable function for hygienic flush that prevents the water to be stagnant too long and thereby prevents bacteria to grow.

**Article number:** 16401000 **Flow 3 bar:** 5.0 l/m

**Description:** Chrome, mains operation, without transformer

- For premixed water
- Without temperature knob, mains operation (without transformer)
- Soft closing solenoid valve
- Safe against vandalism, complete in metal
- Eco (energy and water saving constant flow aerator, 5 l/min at 200–600 kPa)
- Flush Timeout - safety shut-off to prevent flooding
- 30 sec. rinse time via sensor
- Can be turned off for 60 sec. (eg for cleaning)
- Low power consumption - Long life
- Equipped with system for thermal disinfection against legionella
- IP class sensor, IP67
- Approved non-return valves, EN-Standard EN1717
- Environmental friendly material, Lead free, Nickel Free

### Installation:

- Automatic sensor calibration
- All models can be adapted for either battery 6V or mains operation 12V AC/DC
- Mains operation requires installation of the power supply FMM S600129, alternatively transformer FMM S600128
- Soft PEX<sup>®</sup> hose with integrated non return valves and filters (stainless steel braided)
- Hole diameter Ø33,5-37 mm

### Settings:

- Programmable function for hygiene flushing
- Adjustable flush time