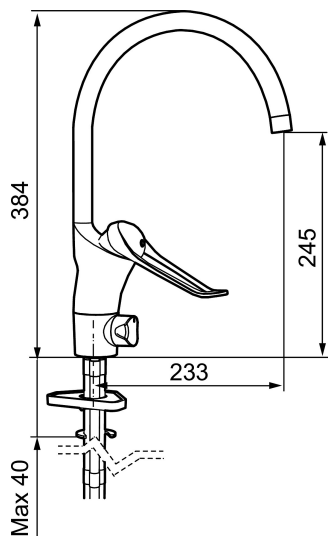




Unique characteristics

Backflow protection unit type



9000E II care kitchen mixer

Article number: 80014010

Description: Chrome, connection nut G3/8"

- Cold Start
- Ceramic cartridge with soft closing function
- Adjustable flow control and temperature limiter
- Eco Flow (energy and water saving aerator)
- Swivel spout 60°, 85°, 110° or 360° (limitation part for 60° or 110° included)
- Soft PEX[®] hoses (stainless steel braided)
- Hole diameter Ø34-37 mm
- Lever: 150 mm