



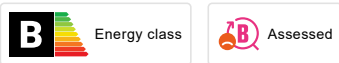
## SILJAN basin mixer

**Article number:** 83580000 **Flow 3 bar:** 5.5 l/m

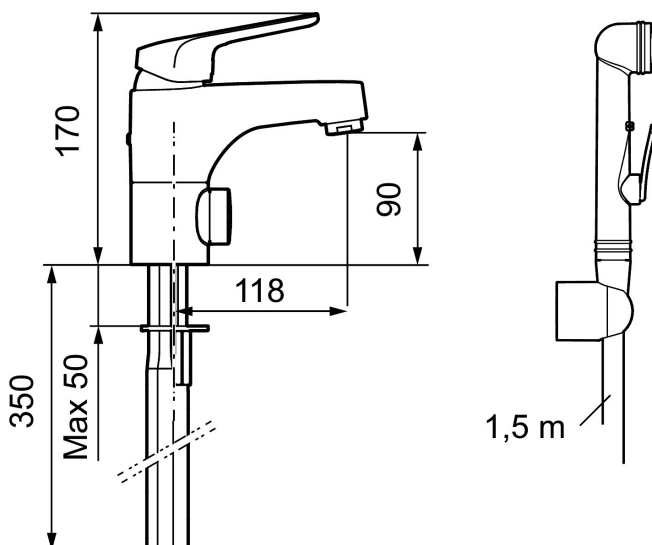
**Description:** Chrome, connection flat end Ø10 mm

- With self-closing hand shower, wall bracket and hose
- Cold Start
- Soft closing with ceramic cartridge
- Adjustable flow control and temperature limiter
- With dish washer valve, switchable between cold and hot water. Pre-set on cold water
- Swivel spout 120° or fixed
- Approved non-return valves, EN-Standard EN1717

### Uniqe characteristics



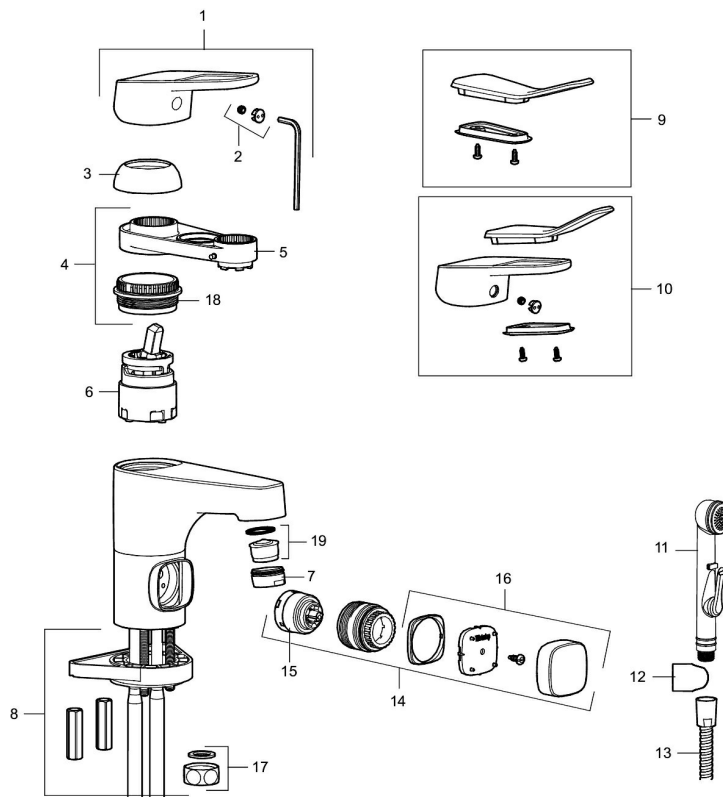
Backflow protection unit type **EB**



## PRODUCT DESCRIPTION

### SILJAN basin mixer

Article number: 83580000



## Sparepartlist

NO.	FMM NO.	RSK	DESCRIPTION
1	58501000	8592023	Complete lever, chrome
2	58511000	8592021	Cover lid with colour marking
3	58521000	8592020	Cover sleeve, chrome
4	58530140	8241726	Fastening nipple with service tool
5	60770000	8591918	Service tool
6	59120009	8591949	Ceramic cartridge with service tool, cold start (green ring)
6	59115500	8591947	Ceramic cartridge with service tool, standard (red ring)
6	59126000	8591966	Ceramic cartridge with service tool, Eco Plus (green ring)
7	29142400	8281526	Housing M24 ext., 13 mm
8	39142800	8186893	Fastening kit, for kitchen mixer with on/off valve
9	35974009	8592038	Care-kit
10	58504000	8592049	Care-lever, complete
11	S600206	8233049	Self-closing hand shower, chrome
12	34093000	8186018	Wall bracket, chrome

NO.	FMM NO.	RSK	DESCRIPTION
13	S600207	8236647	Shower hose, L=1,5 m, chrome
14	59291000	8186896	On/off valve for dishwasher, complete
15	59271000	8591843	Ceramic cartridge for dishwasher
16	58281000	8592036	Knob for dishwasher, chrome
17	29651501	8531502	Rough chrome plated
18	29390000	8295356	Fastening nipple
19	29102910	8281534	Aerator insert, 5,5–6,5 l/min at 300kPa
19	29102710	8281528	Aerator insert, 9–11 l/min at 300kPa