



## 9000E II care basin mixer


An optimal fusion of design and function. The FM Mattsson 9000E range ushers in a new generation of mixers that are environmentally engineered down to the last detail. The mixer has an extra long lever, providing an easier grip for weak hands. This is just one of the special solutions that make our products ideal for a lifetime of use. In short, FM Mattsson has a mixer design for everybody.

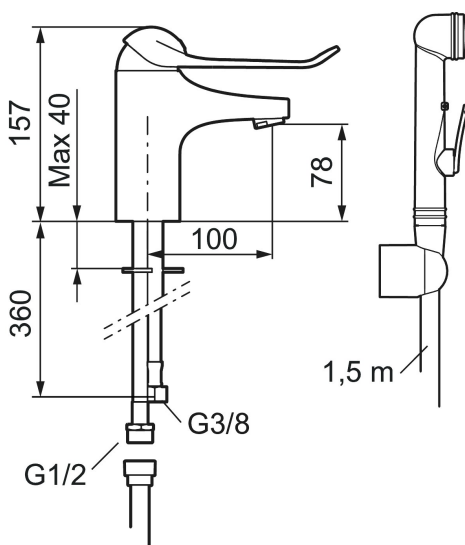
**Article number:** 80674010

**Description:** Chrome, connection nut G3/8"

### Uniqe characteristics



Backflow protection unit type 



- With self-closing hand shower, wall bracket and hose
- Cold Start
- Ceramic cartridge with soft closing function
- Adjustable flow control and temperature limiter
- Eco Flow (energy and water saving aerator)
- Soft PEX® hoses (stainless steel braided)
- Lever: 150 mm