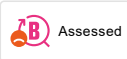




Unique characteristics

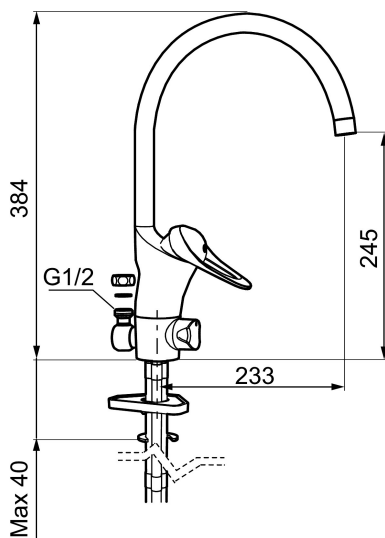


Energy class



Assessed

Backflow protection unit type



9000E II kitchen mixer

Article number: 80030000 **Flow 3 bar:** 7.4 l/m

Description: Chrome, connection flat end Ø10 mm

- **For floor and sink dishwasher**
- Cold Start
- Ceramic cartridge with soft closing function
- Adjustable flow control and temperature limiter
- Eco Flow (energy and water saving aerator)
- Swivel spout 60°, 85°, 110° or 360° (limitation part for 60° or 110° included)
- With dish washer valve, switchable between cold and hot water. Pre-set on cold water
- Soft PEX® hoses with 3/8" connecting nut (stainless steel braided)
- Hole diameter Ø34-37 mm