



## 9000E wash trough mixer

An optimal fusion of design and function. The FM Mattsson 9000E range ushers in a new generation of mixers that are environmentally engineered down to the last detail. The mixer brings beauty and technical perfection to your bathroom. Even in its basic version, the mixer has unique functions that save energy without compromising on comfort.

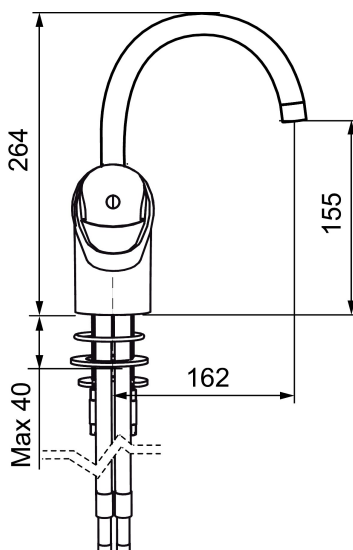
Article number: 81180010

Description: Chrome, connection nut G3/8"

- Cold Start
- Ceramic cartridge with soft closing function
- Adjustable flow control and temperature limiter
- Fixed spout
- Soft PEX® hoses (stainless steel braided)

### Unique characteristics

Backflow protection unit type

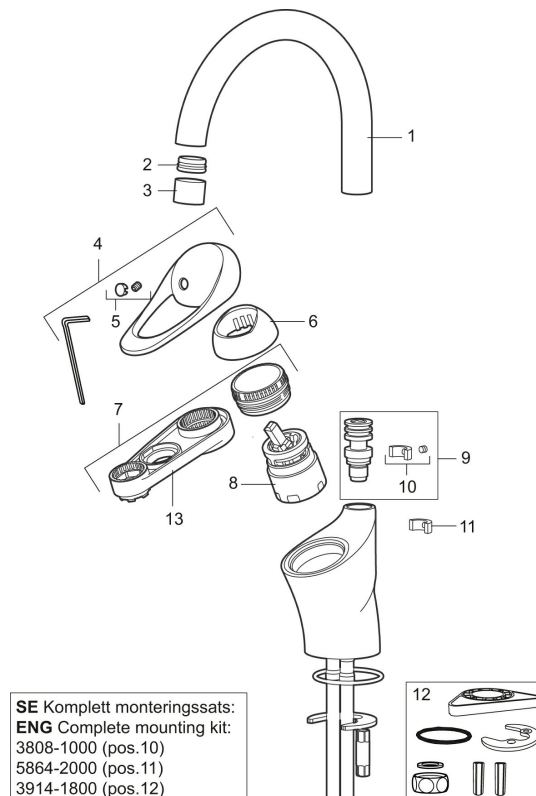


## PRODUCT DESCRIPTION

### 9000E wash trough mixer

An optimal fusion of design and function. The FM Mattsson 9000E range ushers in a new generation of mixers that are environmentally engineered down to the last detail. The mixer brings beauty and technical perfection to your bathroom. Even in its basic version, the mixer has unique functions that save energy without compromising on comfort.

Article number: 81180010



## Sparepartlist

NO.	FMM NO.	RSK	DESCRIPTION
1	58630000	8154077	Spout for wash through mixer
2	29102290	8242220	Aerator insert, 7-9 l/min at 300kPa
3	29142200	8281524	Housing M22 int.
4	58500000	8591936	Lever, complete, L=90 mm
5	58510000	8591944	Cover lid with colour marking
6	58520000	8591945	Cover sleeve
7	29390000	8295356	Fastening nipple
8	59120009	8591949	Ceramic cartridge with service tool, cold start (green ring)
9	37791000	8295341	Spout nipple, complete, for fixed spout
10	38081000	8295334	Stop screw with limitation segment

<b>NO.</b>	<b>FMM NO.</b>	<b>RSK</b>	<b>DESCRIPTION</b>
11	58642000	8295339	Fixed plug, 2 pcs, (black/grey)
12	39141800		Fastening kit, for kitchen mixer without on/off valve
13	60770000	8591918	Service tool