



9000XE head shower kit

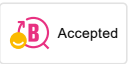
9000XE head shower kit is a head shower kit in chrome. The telescopic shower bar allows the wall bracket's height to be adapted to the specific bathroom's ceiling height, as well as to the user's height and/or the preferred distance to the shower head.

This product is LEED certified, which means it meets the flow rate requirements applicable to certain new buildings and conversions.

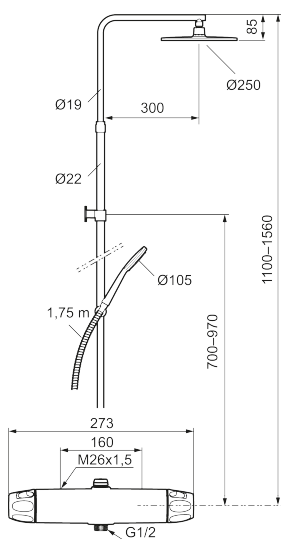
Article number: 86831000 **Flow 3 bar:** 6.0 l/m

Description: Chrome, 160 c/c, LEED/BREEAM compliant

Unique characteristics



Backflow protection unit type **EB**



- Note! 160 c/c
- Safety mixer 9000XE and head shower set 9000XE
- With reversible headwork
- Anti lime-scale head- and hand shower
- Shower bar with slider and wall bracket with sealing
- Shower pipe can be shortened if required
- Wall bracket freely adjustable in height, 700–970 from connection and 50–100 mm from wall, 2x20 mm spacers included, with sealing, hidden pipe joint
- Lead Free material

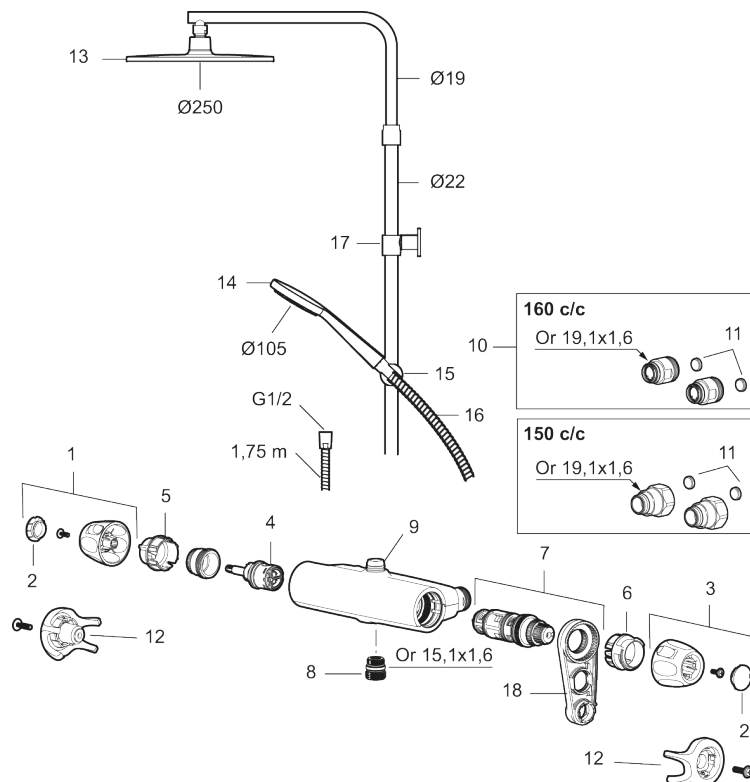
PRODUCT DESCRIPTION

9000XE head shower kit

9000XE head shower kit is a head shower kit in chrome. The telescopic shower bar allows the wall bracket's height to be adapted to the specific bathroom's ceiling height, as well as to the user's height and/or the preferred distance to the shower head.

This product is LEED certified, which means it meets the flow rate requirements applicable to certain new buildings and conversions.

Article number: 86831000



Sparepartlist

NO.	FMM NO.	RSK	DESCRIPTION
1	S600083	8218917	On/off handle, complete, krom
1	S600083.75	8218919	On/off handle, complete, brushed chrome
2	S600116	8218920	End cover, chrome
2	S600116.75	8218922	End cover, brushed chrome
3	S600082	8218914	Temperature handle, complete, chrome
3	S600082.75	8218916	Temperature handle, complete, brushed chrome
4	S600020	8441462	Ceramic headwork, with service tool (shower mixer)
4	S600269	8387232	Ceramic headwork, without tool (shower mixer)
5	S600117	8439714	Stop ring, reversible
6	S600087	8439711	Scalding protection ring

NO.	FMM NO.	RSK	DESCRIPTION
7	S600084	8439709	Thermostatic cartridge, complete, incl. service tool
7	S600271	8397030	Thermostatic cartridge, complete, without service tool
8	S600088	8439712	Nipple M18x1–G1/2 for shower mixer
9	S600112	8920116	Nipple M18x1
9	S600265		Nipple M18x1, with flow regulator 9 l/min
10	59800800	8592005	Inlet connectors, 160 c/c
11	38632006	8590311	Filter
12	S600105	8439713	Care-handle, black, 2 pcs
13	S600092	8237548	Shower head, chrome
13	S600092.75	8237550	Shower head, brushed chrome
14	S600091	8233001	Hand shower, chrome
14	S600091.75	8233003	Hand shower, brushed chrome
15	S600093	8239502	Slider, chrome
15	S600093.75	8284780	Slider, brushed chrome
16	S600109	8252036	Shower hose, chrome
16	S600109.75	8252038	Shower hose, brushed chrome
17	S600094	8221921	Wall bracket, chrome
17	S600094.75	8221923	Wall bracket, brushed chrome
18	S600298	3870203	Service tool