



Thermostatic mixer for shower cabin 9000

9000 is FM Mattsson's best selling mixer range, and is installed in more Swedish homes than any other mixer today. It has a classic, harmonious design, and the safety mixer features several unique technical innovations. It prevents you from scalding yourself in the shower and maintains constant temperature in all situations. Safe and comfortable.

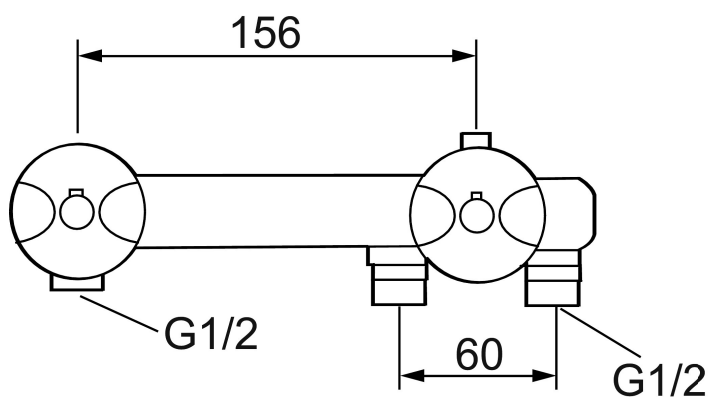
Article number: 92350000

Description: Chrome, 60 c/c, for shower cabin

- Pressure balanced thermostatic mixer
- With spacer rings
- Approved non-return valves, EN-Standard EN1717

Unique characteristics

Backflow protection unit type

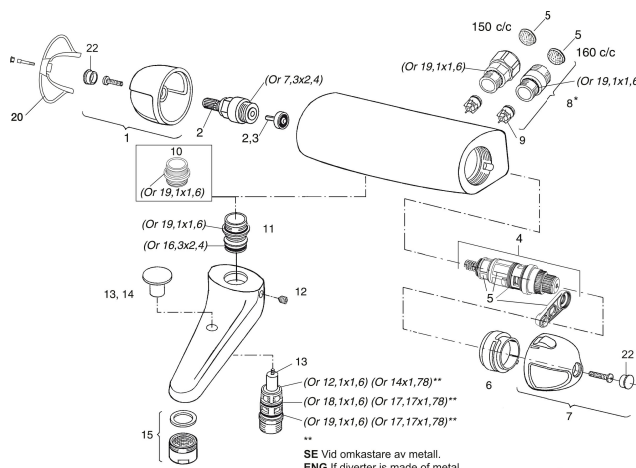


PRODUCT DESCRIPTION

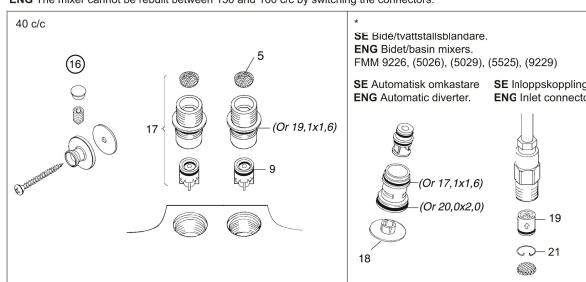
Thermostatic mixer for shower cabin 9000

9000 is FM Mattsson's best selling mixer range, and is installed in more Swedish homes than any other mixer today. It has a classic, harmonious design, and the safety mixer features several unique technical innovations. It prevents you from scalding yourself in the shower and maintains constant temperature in all situations. Safe and comfortable.

Article number: 92350000



SE Blandaren kan ej byggas om mellan 150-153 c/c och 160 c/c med att byta anslutning.
 ENG The mixer cannot be rebuilt between 150 and 160 c/c by switching the connectors.



Sparepartlist

NO.	FMM NO.	RSK	DESCRIPTION
1	35930000	8591725	On/off handle, chrome
2	35201400	8585846	On/off headwork with valve cone
3	36001500	8913411	Valve cone
3	36001549	8913436	Valve cone, 10 pcs
4	38601009	8591609	Thermostatic cartridge, complete, incl. service tool
5	38680009	8591701	Filter kit incl. o-rings and service tool
6	38520007	8591592	Scalding protection ring, standard (black)
7	35940000	8591727	Temperature handle, chrome
8	59800000	8591543	Inlet connectors, 160 c/c
8	59810000	8591544	Inlet connectors 150-153 c/c (left-handed thread)

NO.	FMM NO.	RSK	DESCRIPTION
9	29830529	8591702	Non-return valves, 2 pcs
10	39710000	8591571	Nipple M22x1-G1/2 for shower mixer
11	39750100	8591621	Nipple
12	38730006	8591623	Locking screw
13	39412000	8591533	Diverter, complete, without locking ring, 9000
14	39421000	8591540	Diverter knob
15	29032839	8242060	Aerator M28 ext., 24–26 l/min at 300 kPa
16	29712000	8591530	Wall bracket for 40 c/c mixers, complete
17	59820000	8591545	Inlet connector for 40 c/c mixer
18	38690000	8591633	Cover lid, chrome
19	29831529	8591641	Non-return valves, 2 pcs
20	35970130	8591546	Wing (grey)
21	37120000	8295342	Locking ring
22	39030000	8295347	End cover, chrome, 2 pcs