




## 9000E bath mixer

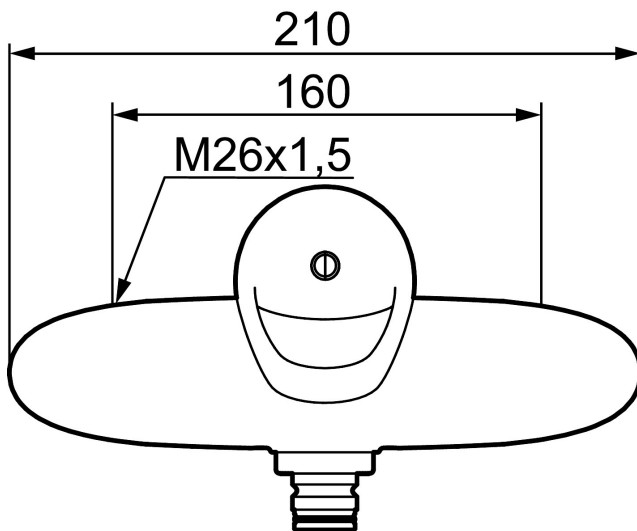
**Article number:** 81910000

**Description:** Chrome, 160 c/c, spout are available as accessories

- Soft closing with ceramic cartridge
- Without spout, with Shower connection 1/2"
- For mounting of spout with pull-diverter FMM 3585
- Approved non-return valves, EN-Standard EN1717

### Unique characteristics

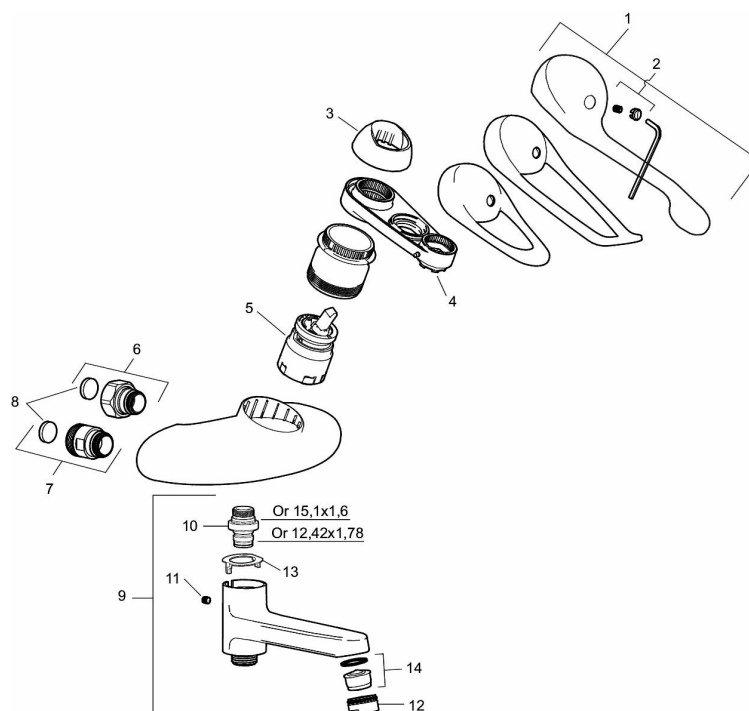
Backflow protection unit type  EB



## PRODUCT DESCRIPTION

### 9000E bath mixer

Article number: 81910000



## Sparepartlist

NO.	FMM NO.	RSK	DESCRIPTION
1	58500000	8591936	Lever, complete, L=90 mm
1	58501750	8591937	Lever, complete, L=150 mm
1	58501800	8592048	Lever, complete, L=180 mm
2	58510000	8591944	Cover lid with colour marking
3	58520000	8591945	Cover sleeve
4	S600298	3870203	Service tool
5	S600276	8387231	Ceramic cartridge, incl. service tool, 20 l/min
6	59811800	8592011	Inlet connectors 150 c/c (left-handed thread)
7	59800800	8592005	Inlet connectors, 160 c/c
8	38680009	8591701	Filter kit incl. o-rings and service tool
9	82990000	8154073	Swivel spout with integrated diverter
10	39754000	8591969	Nipple M18x1 with o-ring for bath mixer
11	38086000	8439701	Locking screw
12	29142400	8281526	Housing M24 ext., 13 mm
13	38521000	8295345	Stop ring
14	29102650	8281547	Aerator insert, 20–24 l/min at 300 kPa