



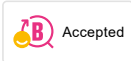
9000XE care kitchen mixer

Article number: 86004010

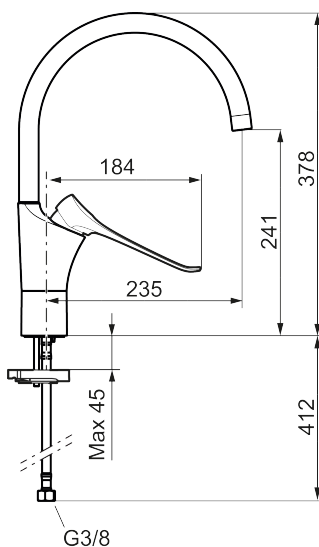
Description: Chrome

- Cold Start
- Ceramic cartridge with soft closing function
- Adjustable flow control and temperature limiter
- Eco Flow (energy and water saving aerator)
- Swivel spout, limitation part for 60°, 85°, 110° or 360° included
- Soft PEX[®] hoses with 3/8" connecting nut (stainless steel braided)
- Lead Free material
- Hole diameter Ø34-37 mm

Unique characteristics



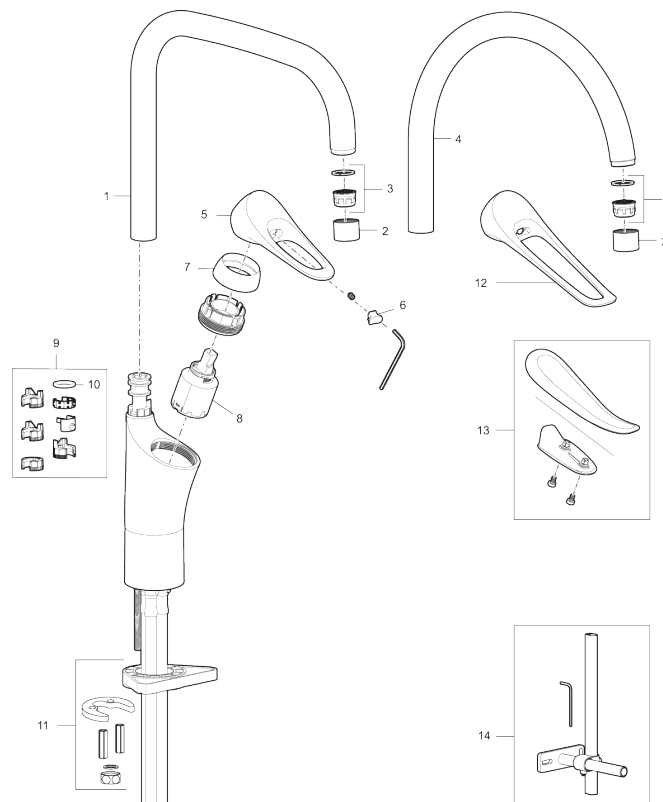
Backflow protection unit type



PRODUCT DESCRIPTION

9000XE care kitchen mixer

Article number: 86004010



Sparepartlist

NO.	FMM NO.	RSK	DESCRIPTION
1	S600103	8387035	Spout, U-model, chrome
1	S600103.75	8387037	Spout, U-model, brushed chrome
2	S600155	8280012	Housing M22 int., chrome
2	S600155.75	8280013	Housing M22 int., brushed chrome
3	29102910	8281534	Aerator insert, 5,5–6,5 l/min at 300kPa
3	29100500	8281532	Aerator insert, 5 l/min at 200–600 kPa
3	S600072	8281671	Aerator insert, 3 l/min at 200–600 kPa
4	S600102	8387032	Spout, C-model, chrome
4	S600102.75	8387034	Spout, C-model, brushed chrome
5	S600096	8387022	Lever, complete, chrome
5	S600096.75	8387024	Lever, complete, Brushed chrome
6	S600097	8387025	Cover lid with colour marking
7	S600101	8387029	Cover sleeve, chrome
7	S600101.75	8387031	Cover sleeve, brushed chrome

NO.	FMM NO.	RSK	DESCRIPTION
8	S600098	8387026	Ceramic cartridge with tool, for kitchen mixers
8	S600209	8387039	Ceramic cartridge, for kitchen mixers
8	S600100	8387028	Ceramic cartridge with tool, for kitchen mixer (LEED) and basin mixer
8	S600099	8387027	Ceramic cartridge, for kitchen mixer (LEED) and basin mixer
9	58641000	8594560	Lock kit for swivel spout
10	37801550	8295350	O-ring 15,54 x 2,62, 2 pcs
11	39142800	8186893	Fastening kit, for kitchen mixer with on/off valve
12	S600175	8387083	Care-lever, complete
13	S600106	8397001	Care-kit
14	39147000	8592050	Stabilizer kit