



9000E basin mixer


An optimal fusion of design and function. The FM Mattsson 9000E range ushers in a new generation of mixers that are environmentally engineered down to the last detail. The mixer brings beauty and technical perfection to your bathroom. Even in its basic version, the mixer has unique functions that save energy without compromising on comfort.

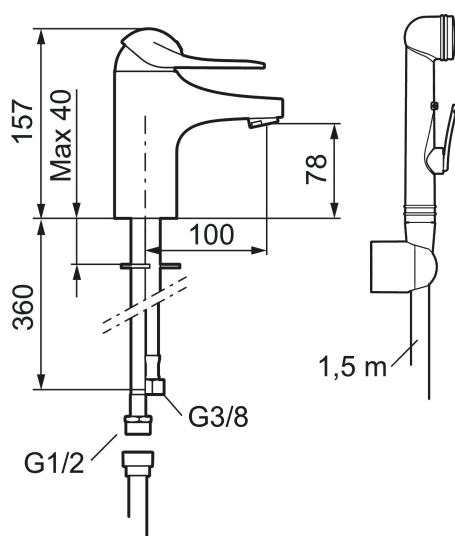
Article number: 80670010

Description: Chrome, connection nut G3/8"

Unique characteristics



Backflow protection unit type 



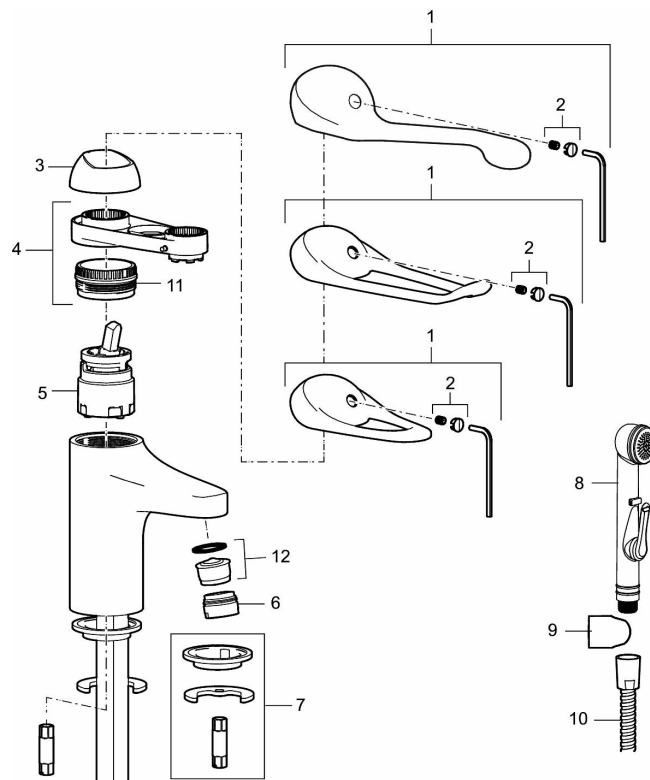
- With self-closing hand shower, wall bracket and hose
- Cold Start
- Ceramic cartridge with soft closing function
- Adjustable flow control and temperature limiter
- Eco Flow (energy and water saving aerator)
- Soft PEX[®] hoses (stainless steel braided)
- Approved non-return valves, EN-Standard EN1717

PRODUCT DESCRIPTION

9000E basin mixer

An optimal fusion of design and function. The FM Mattsson 9000E range ushers in a new generation of mixers that are environmentally engineered down to the last detail. The mixer brings beauty and technical perfection to your bathroom. Even in its basic version, the mixer has unique functions that save energy without compromising on comfort.

Article number: 80670010



Sparepartlist

| NO. | FMM NO. | RSK | DESCRIPTION |
|-----|----------|---------|--|
| 1 | 58500000 | 8591936 | Lever, complete, L=90 mm |
| 1 | 58501750 | 8591937 | Lever, complete, L=150 mm |
| 1 | 58501800 | 8592048 | Lever, complete, L=180 mm |
| 2 | 58510000 | 8591944 | Cover lid with colour marking |
| 3 | 58520000 | 8591945 | Cover sleeve |
| 4 | 58530140 | 8241726 | Fastening nipple with service tool |
| 5 | S600273 | 8387230 | Ceramic cartridge with service tool, cold start (green ring) |
| 5 | 59120000 | 8591769 | Ceramic cartridge, cold start (green ring) |
| 5 | 59126000 | 8591966 | Ceramic cartridge with service tool, Eco Plus (green ring) |
| 5 | S600232 | | Cartridge, Low flow, for LEED mixers |

| NO. | FMM NO. | RSK | DESCRIPTION |
|-----|----------|---------|---|
| 6 | 29142400 | 8281526 | Housing M24 ext., 13 mm |
| 7 | S600160 | 8387096 | Fastening kit, for basin mixer |
| 8 | S600206 | 8233049 | Self-closing hand shower, chrome |
| 9 | 34093000 | 8186018 | Wall bracket, chrome |
| 10 | S600207 | 8236647 | Shower hose, L=1,5 m, chrome |
| 11 | 29390000 | 8295356 | Fastening nipple |
| 12 | 29102910 | 8281534 | Aerator insert, 5,5–6,5 l/min at 300kPa |
| 12 | 29102710 | 8281528 | Aerator insert, 9–11 l/min at 300kPa |
| 12 | 29100500 | 8281532 | Aerator insert, 5 l/min at 200–600 kPa |
| 12 | S600072 | 8281671 | Aerator insert, 3 l/min at 200–600 kPa |