



## 9000E rinse mixer

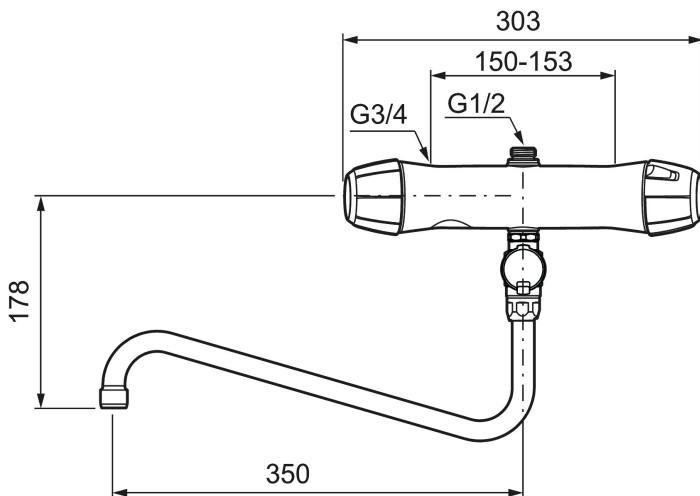
**Article number:** 82655504 **Flow 3 bar:** 16.3 l/m

**Description:** Chrome, black handles, 150 c/c

- Pressure balanced thermostatic mixer
- Temperature handle with safety stop 38°C
- With swivel spout
- With approved non-return valves, EN-Standard EN1717

### Uniqe characteristics

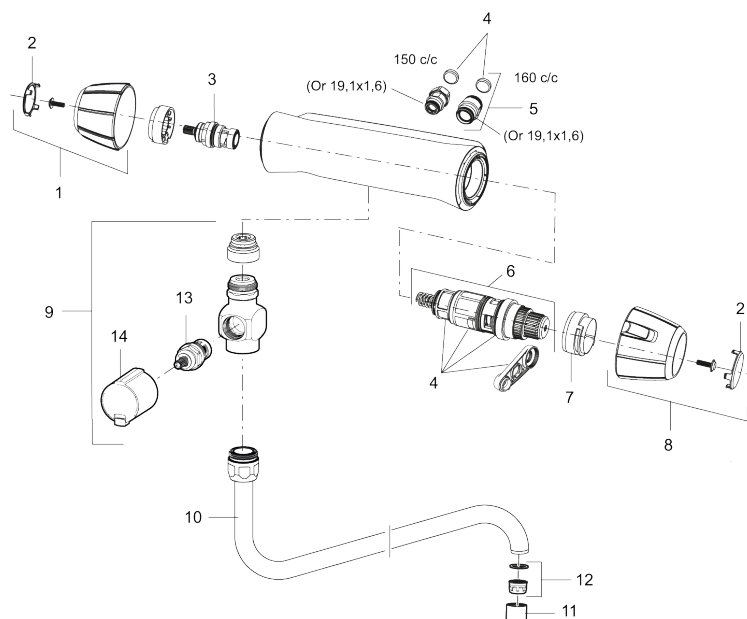
Backflow protection unit type



## PRODUCT DESCRIPTION

### 9000E rinse mixer

Article number: 82655504



## Sparepartlist

NO.	FMM NO.	RSK	DESCRIPTION
1	35780040	8591995	On/off handle, complete, black
2	39031004	8592004	Cover, black, 2 pcs
3	35900800	8585849	Ceramic on/off headwork
4	38680009	8591701	Filter kit incl. o-rings and service tool
5	59810800	8592006	Inlet connectors 150 c/c (left-handed thread)
5	59800800	8592005	Inlet connectors, 160 c/c
6	38601009	8591609	Thermostatic cartridge, complete, incl. service tool
7	38520007	8591592	Scalding protection ring, standard (black)
8	35780140	8591997	Temperature handle, complete, black
9	23131000	8412274	On/off valve
10	28103500	8153934	Spout, chrome, L=350 mm, H=105 mm
11	29142200	8281524	Housing M22 int.
12	29102419	8909483	Aerator insert, 11-15 l/min at 300kPa
13	35900800	8585849	Ceramic on/off headwork
14	35441000	8439700	On/off handle with screw and lid