



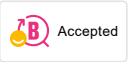
9000XE shower mixer

9000XE shower mixer in brushed chrome is the successor to one of our best-selling mixers. Its design is as sophisticated as that of its predecessor, but it has been upgraded with double check valves, faster temperature regulation, lower weight and noise absorbing functions. The product can be supplemented with a tub spout.


Article number: 86800003 **Flow 3 bar:** 12.2 l/m

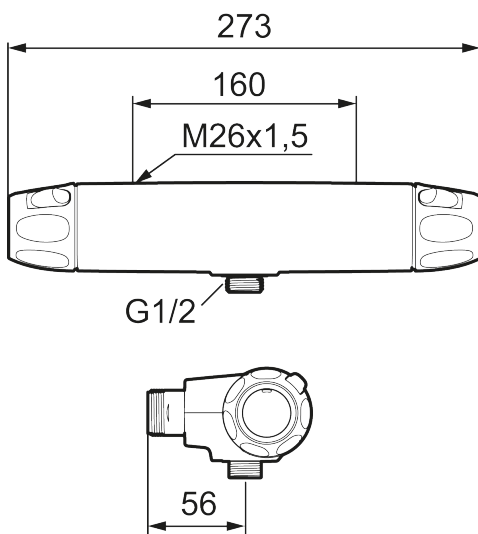
Description: Brushed chrome, 160 c/c

Unique characteristics



- With shower connection down
- Pressure balanced thermostatic mixer
- With ceramic sealed headwork
- Temperature handle with safety stop at 38°C
- With Eco-function
- Lead Free material
- Approved non-return valves, EN-Standard EN1717

Backflow protection unit type 

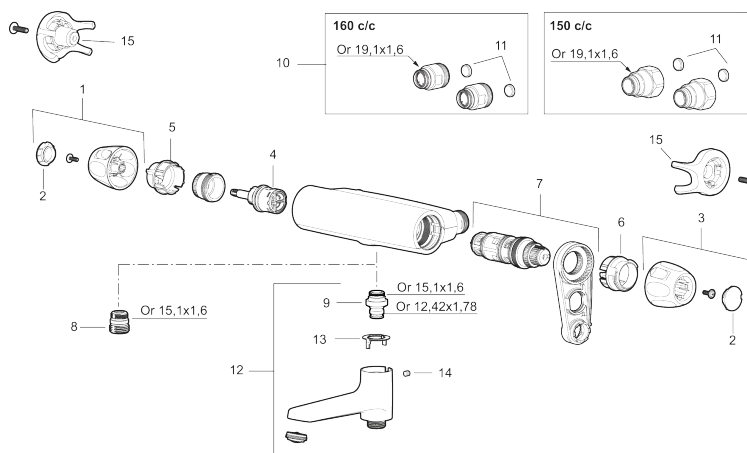


PRODUCT DESCRIPTION

9000XE shower mixer

9000XE shower mixer in brushed chrome is the successor to one of our best-selling mixers. Its design is as sophisticated as that of its predecessor, but it has been upgraded with double check valves, faster temperature regulation, lower weight and noise absorbing functions. The product can be supplemented with a tub spout.

Article number: 86800003



Sparepartlist

| NO. | FMM NO. | RSK | DESCRIPTION |
|-----|------------|---------|--|
| 1 | S600083 | 8218917 | On/off handle, complete, krom |
| 1 | S600083.75 | 8218919 | On/off handle, complete, brushed chrome |
| 2 | S600116 | 8218920 | End cover, chrome |
| 2 | S600116.75 | 8218922 | End cover, brushed chrome |
| 3 | S600082 | 8218914 | Temperature handle, complete, chrome |
| 3 | S600082.75 | 8218916 | Temperature handle, complete, brushed chrome |
| 4 | S600020 | 8441462 | Ceramic headwork, with service tool (shower mixer) |
| 4 | S600269 | 8387232 | Ceramic headwork, without tool (shower mixer) |
| 4 | S600021 | 8441463 | Ceramic headwork, with service tool (bath mixer) |
| 4 | S600270 | 8387233 | Ceramic headwork, without tool (bath mixer) |
| 5 | S600086 | 8439710 | Stop ring, standard |
| 6 | S600087 | 8439711 | Scalding protection ring |
| 6 | S600026 | 8439708 | Scalding protection ring, max 42 °C |
| 7 | S600084 | 8439709 | Thermostatic cartridge, complete, incl. service tool |
| 7 | S600271 | 8397030 | Thermostatic cartridge, complete, without service tool |
| 8 | S600088 | 8439712 | Nipple M18x1-G1/2 for shower mixer |
| 9 | 39754000 | 8591969 | Nipple M18x1 with o-ring for bath mixer |

| NO. | FMM NO. | RSK | DESCRIPTION |
|-----|------------|---------|---|
| 10 | 59800800 | 8592005 | Inlet connectors, 160 c/c |
| 11 | 38632006 | 8590311 | Filter |
| 12 | S600077 | 8241000 | Swivel spout with integrated diverter, chrome |
| 12 | S600077.75 | 8357750 | Swivel spout with integrated diverter, brushed chrome |
| 13 | 38521000 | 8295345 | Stop ring |
| 14 | 38086000 | 8439701 | Locking screw |
| 15 | S600105 | 8439713 | Care-handle, black, 2 pcs |