



Unique characteristics

Backflow protection unit type



FM Mattsson tronic shower panel WMS UV-LED, with thermostatic function, mains operation (included transformer)

Article number: 95036102

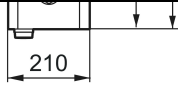
Description: Matte white, mains operation, included transformer and 10 m extension cable

- Shower panel with built-in UV-LED device for effective combating of legionella and other microorganisms
- Possibilities of wireless connection
- Built-in safety function that turns off the water in case of a UV device failure
- Thermostatic function, with adjustable temperature
- Programmable start button. Rinsing time from 10–60 seconds, (30 seconds is the factory preset)
- Jet angle adjustable +/- 5°
- Flow limiter 9 l/min
- Can be turned off by solenoid valve (eg for cleaning)
- Stainless steel design with powder-coated casing. Standard colour white NCS S0500-N, Gloss 30, other colours and gloss levels available on request.
- IP class sensor, IP67

Installation:

- Easy to change battery under the service cover without turning off the water supply
- Mains operation (included transformer and 10 m extension cable)
- Connection up G1/2". Ball valve are ordered separately

Tronic WMS:

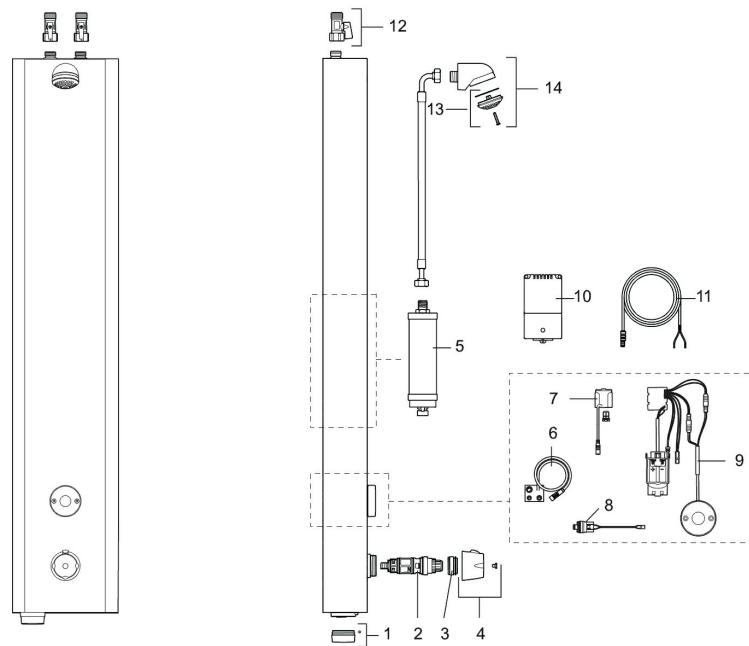


- With wireless connection to the Tronic WMS system (gateway and subscription required) alternatives via Dongel (1616-1000) the following opportunities are obtained:
 - Programmable rinsing time from 10–60 seconds
 - Built-in temperature measurements (measures output water temperature)
 - Programmable temperature stop, the mixer will turn off directly at set maximum temperature
 - Flush time control, prevents overflow, maximum flush time 5 min.
 - Adjustable hygiene flushing, interval and flush time (to prevent water becoming stagnant)
 - Logging of all flushings with point of time, water consumption and temperature. - Only with WMS
 - Stagnation alarm (an alarm is emitted if the unit is not used within the set time) – Only with WMS
 - Alarm via SMS or email – Only with WMS

PRODUCT DESCRIPTION

FM Mattsson tronic shower panel WMS UV-LED, with thermostatic function, mains operation (included transformer)

Article number: 95036102



Sparepartlist

NO.	FMM NO.	RSK	DESCRIPTION
1	16222600	8438816	Cover plug for battery, black
2	38607000	8591963	Thermostatic cartridge, complete, incl. service tool
3	409364.AE	8346506	Scalding protection ring, (max 42 °C)
4	S600222	8239545	Temperature handle, complete
5	16150012	8443246	UV-LED device, Purify Flex (12 LED)
6	16217000	8438820	Cabling, UV device
7	S600132	8438826	AC adapter
8	16202000	8221794	Solenoid valve
9	16216500	8438815	Electronic unit
10	16301000	8438821	Transformer 24V
11	S600148		Extension cable, 10 m
12	22801509	5493432	Ball valve G1/2

NO.	FMM NO.	RSK	DESCRIPTION
13	29182000	8221808	Shower strainer
14	S600025	8221869	Shower head, complete