



SILJAN basin mixer

Soft, curved lines and ultra-shiny surfaces. We have emphasised clean design, simplicity and function, in line with our vision of caring for people and the environment. Strong focus has been placed on design, and specific shapes are used consistently to create a coordinated look.

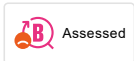
Big or small? Our FM Mattsson Siljan has products for everybody, regardless of their taste or the size of their home.


The new Siljan Mini basin mixer is a compact product that packs a punch. Specially designed for small homes, small bathrooms or small hands. The choice is yours. Needless to say, you get the same high quality, just in a smaller size.

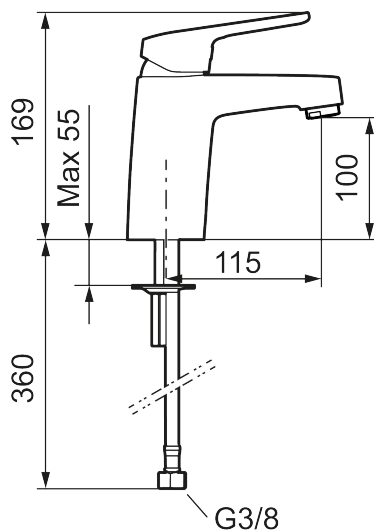
Article number: 83507010

Description: Chrome, constant flow at 200–600 kPa, connection nut G3/8"

Unique characteristics



Backflow protection unit type 



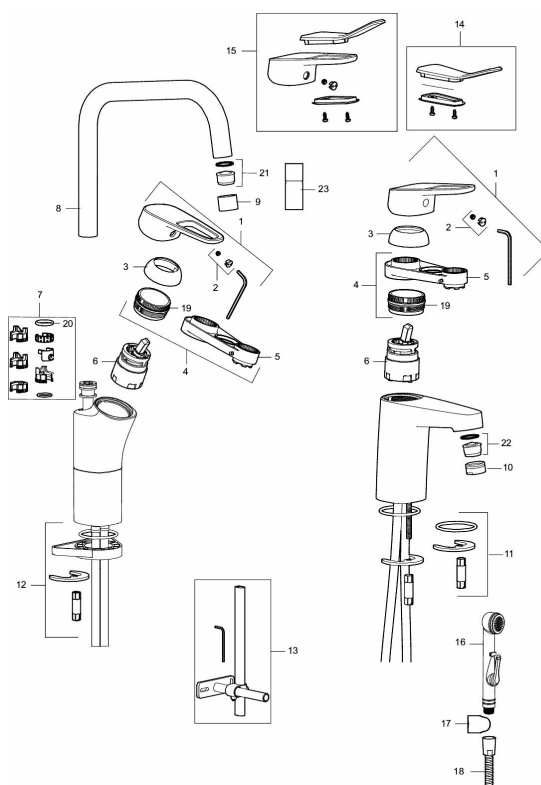
- Cold Start
- Ceramic cartridge with soft closing function
- Adjustable flow control and temperature limiter
- Eco Flow (energy and water saving aerator)
- Soft PEX[®] hoses (stainless steel braided)

PRODUCT DESCRIPTION

SILJAN basin mixer

Soft, curved lines and ultra-shiny surfaces. We have emphasised clean design, simplicity and function, in line with our vision of caring for people and the environment. Strong focus has been placed on design, and specific shapes are used consistently to create a coordinated look. Big or small? Our FM Mattsson Siljan has products for everybody, regardless of their taste or the size of their home. The new Siljan Mini basin mixer is a compact product that packs a punch. Specially designed for small homes, small bathrooms or small hands. The choice is yours. Needless to say, you get the same high quality, just in a smaller size.

Article number: 83507010



Sparepartlist

NO.	FMM NO.	RSK	DESCRIPTION
	44450009	8295353	Accessories (limitation segment, stop screw, allen wrench 3 mm)
1	58501000	8592023	Complete lever, chrome
2	58511000	8592021	Cover lid with colour marking
3	58521000	8592020	Cover sleeve, chrome
4	58530140	8241726	Fastening nipple with service tool
5	S600298	3870203	Service tool
6	59115500	8591947	Ceramic cartridge with service tool, standard (red ring)
6	S600273	8387230	Ceramic cartridge with service tool, cold start (green ring)

NO.	FMM NO.	RSK	DESCRIPTION
6	59120000	8591769	Ceramic cartridge, cold start (green ring)
6	59126000	8591966	Ceramic cartridge with service tool, Eco Plus (green ring)
6	S600232		Cartridge, Low flow, for LEED mixers
7	58641000	8594560	Lock kit for swivel spout
8	58650000	8186897	Spout, chrome
9	29142200	8281524	Housing M22 int.
10	29142400	8281526	Housing M24 ext., 13 mm
11	S600160	8387096	Fastening kit, for basin mixer
12	S600159	8387097	Fastening kit, for kitchen mixer
13	S600308	8387263	Stabilizer kit
14	35974009	8592038	Care-kit
15	58504000	8592049	Care-lever, complete
16	S600206	8233049	Self-closing hand shower, chrome
17	34093000	8186018	Wall bracket, chrome
18	S600207	8236647	Shower hose, L=1,5 m, chrome
19	29390000	8295356	Fastening nipple
20	37801550	8295350	O-ring 15,54 x 2,62, 2 pcs
21	29102890	8281533	Aerator insert, 10–13 l/min at 300kPa
22	29100500	8281532	Aerator insert, 5 l/min at 200–600 kPa
22	29102710	8281528	Aerator insert, 9–11 l/min at 300kPa
22	29102910	8281534	Aerator insert, 5,5–6,5 l/min at 300kPa
22	S600072	8281671	Aerator insert, 3 l/min at 200–600 kPa
23	29285009	8242280	Aerator M22 int., ball joint, 7–9 l/min at 300 kPa