



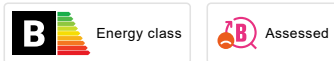
9000E II care basin mixer

An optimal fusion of design and function. The FM Mattsson 9000E range ushers in a new generation of mixers that are environmentally engineered down to the last detail. The mixer has an extra long lever, providing an easier grip for weak hands. This is just one of the special solutions that make our products ideal for a lifetime of use. In short, FM Mattsson has a mixer design for everybody.


Article number: 80604000 **Flow 3 bar:** 6.1 l/m

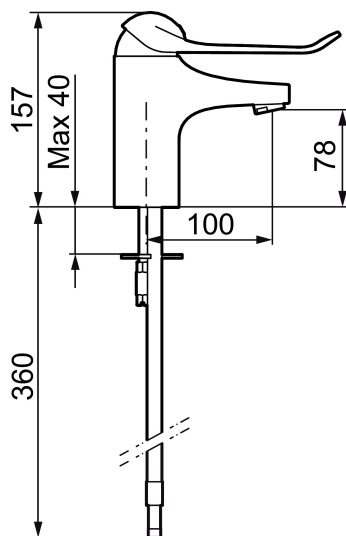
Description: Chrome, connection flat end Ø10 mm

Unique characteristics



- Cold Start
- Ceramic cartridge with soft closing function
- Adjustable flow control and temperature limiter
- Eco Flow (energy and water saving aerator)
- Soft PEX® hoses (stainless steel braided)
- Lever: 150 mm

Backflow protection unit type 

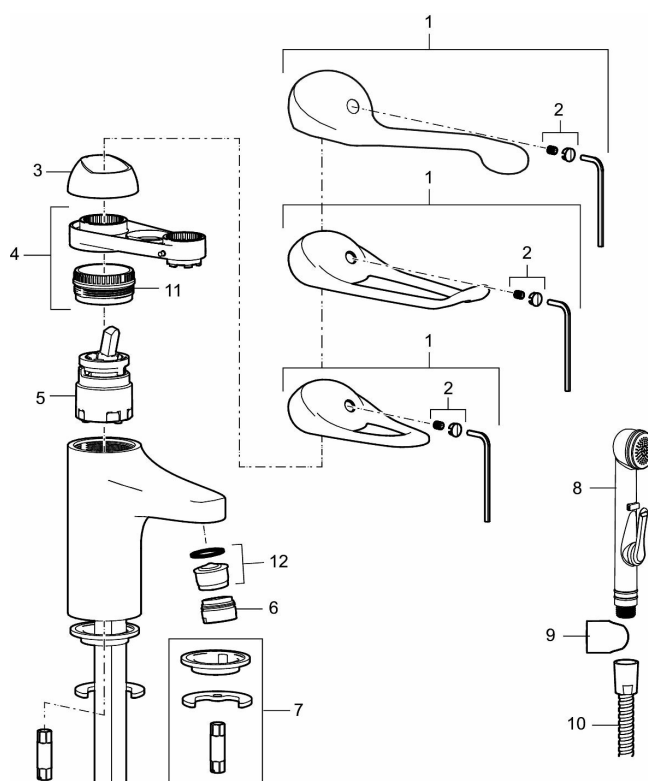


PRODUCT DESCRIPTION

9000E II care basin mixer

An optimal fusion of design and function. The FM Mattsson 9000E range ushers in a new generation of mixers that are environmentally engineered down to the last detail. The mixer has an extra long lever, providing an easier grip for weak hands. This is just one of the special solutions that make our products ideal for a lifetime of use. In short, FM Mattsson has a mixer design for everybody.

Article number: 80604000



Sparepartlist

| NO. | FMM NO. | RSK | DESCRIPTION |
|-----|----------|---------|--|
| 1 | 58500000 | 8591936 | Lever, complete, L=90 mm |
| 1 | 58501750 | 8591937 | Lever, complete, L=150 mm |
| 1 | 58501800 | 8592048 | Lever, complete, L=180 mm |
| 2 | 58510000 | 8591944 | Cover lid with colour marking |
| 3 | 58520000 | 8591945 | Cover sleeve |
| 4 | 58530140 | 8241726 | Fastening nipple with service tool |
| 5 | S600273 | 8387230 | Ceramic cartridge with service tool, cold start (green ring) |
| 5 | 59120000 | 8591769 | Ceramic cartridge, cold start (green ring) |
| 5 | 59126000 | 8591966 | Ceramic cartridge with service tool, Eco Plus (green ring) |
| 5 | S600232 | | Cartridge, Low flow, for LEED mixers |

| NO. | FMM NO. | RSK | DESCRIPTION |
|-----|----------|---------|---|
| 6 | 29142400 | 8281526 | Housing M24 ext., 13 mm |
| 7 | S600160 | 8387096 | Fastening kit, for basin mixer |
| 8 | S600206 | 8233049 | Self-closing hand shower, chrome |
| 9 | 34093000 | 8186018 | Wall bracket, chrome |
| 10 | S600207 | 8236647 | Shower hose, L=1,5 m, chrome |
| 11 | 29390000 | 8295356 | Fastening nipple |
| 12 | 29102910 | 8281534 | Aerator insert, 5,5–6,5 l/min at 300kPa |
| 12 | 29102710 | 8281528 | Aerator insert, 9–11 l/min at 300kPa |
| 12 | 29100500 | 8281532 | Aerator insert, 5 l/min at 200–600 kPa |
| 12 | S600072 | 8281671 | Aerator insert, 3 l/min at 200–600 kPa |