



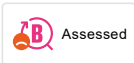
SILJAN kitchen mixer

Siljan is FM Mattsson's new signature collection. It includes a wide range of products with a strong focus on design and smart technology, in line with our vision of caring for people and the environment. Siljan is a natural choice for anyone who aspires to a sustainable lifestyle. A wide range of models guarantees that you will find exactly the right solution for your kitchen.

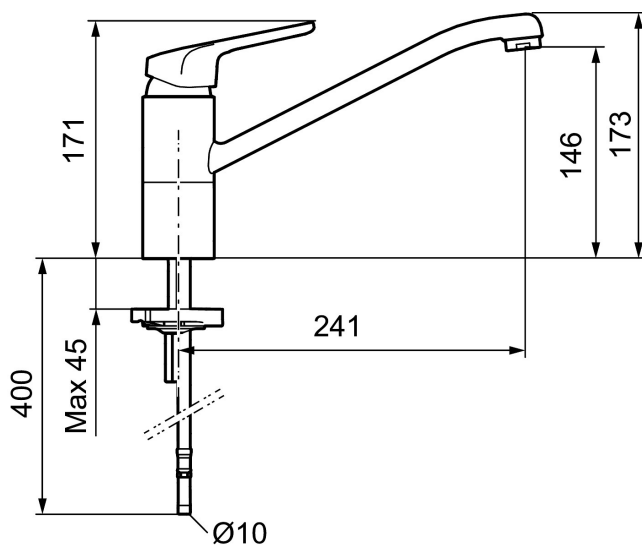
Article number: 83200000 **Flow 3 bar:** 10.8 l/m

Description: Chrome, connection flat end Ø10 mm

Uniqe characteristics



Backflow protection unit type



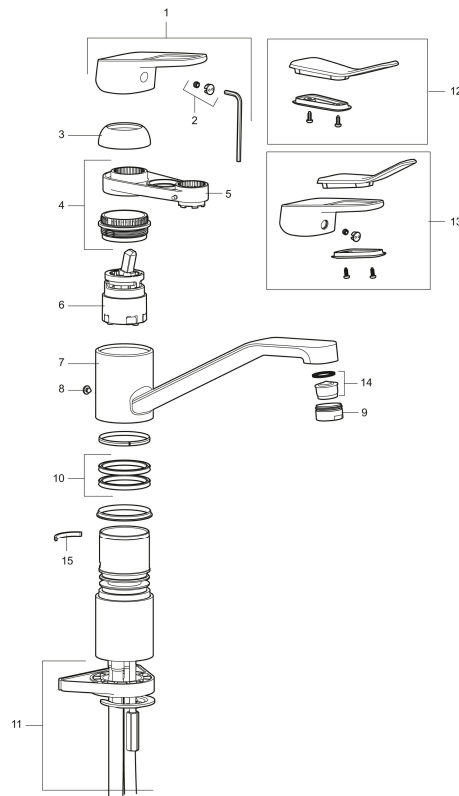
- Cold Start
- Ceramic cartridge with soft closing function
- Adjustable flow control and temperature limiter
- Eco Flow (energy and water saving aerator)
- Swivel spout 110°
- Soft PEX® hoses (stainless steel braided)
- Hole diameter Ø34-37 mm

PRODUCT DESCRIPTION

SILJAN kitchen mixer

Siljan is FM Mattsson's new signature collection. It includes a wide range of products with a strong focus on design and smart technology, in line with our vision of caring for people and the environment. Siljan is a natural choice for anyone who aspires to a sustainable lifestyle. A wide range of models guarantees that you will find exactly the right solution for your kitchen.

Article number: 83200000



Sparepartlist

NO.	FMM NO.	RSK	DESCRIPTION
1	58501000	8592023	Complete lever, chrome
2	58511000	8592021	Cover lid with colour marking
3	58521000	8592020	Cover sleeve, chrome
4	58530160	8241727	Fastening nipple with service tool
5	60770000	8591918	Service tool
6	59120009	8591949	Ceramic cartridge with service tool, cold start (green ring)
6	59115500	8591947	Ceramic cartridge with service tool, standard (red ring)
6	59126000	8591966	Ceramic cartridge with service tool, Eco Plus (green ring)
7	58660000	8592035	Spout
8	38080000	8241723	Stop screw

NO.	FMM NO.	RSK	DESCRIPTION
9	29142400	8281526	Housing M24 ext., 13 mm
10	37204029	8593089	Sealing rings, 2 pcs
11	39142000	8186890	Fastening kit, for mixers with on/off valve
12	35974009	8592038	Care-kit
13	58504000	8592049	Care-lever, complete
14	29102710	8281528	Aerator insert, 9–11 l/min at 300kPa
14	29102890	8281533	Aerator insert, 10–13 l/min at 300kPa
15	38230005	8141730	Limitation clappm for fixed spout and swivel 30-90°