



## 9000E tronic for premixed water, without temperature knob, battery operation


FM Mattsson 9000E Tronic is a new generation of sensor operated mixers in Sweden. All technical parts are integrated in the mixer body for easy maintenance. There is also a programmable function for hygienic flush that prevents the water to be stagnant too long and thereby prevents bacteria to grow.

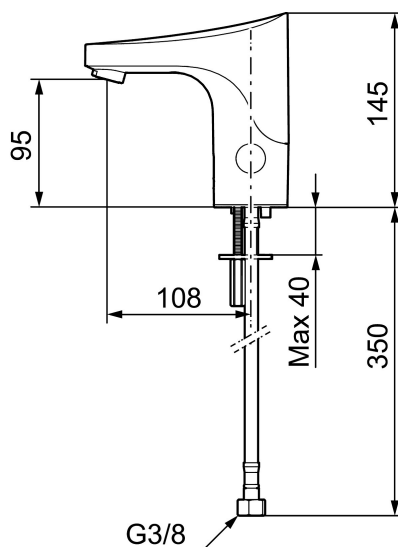
**Article number:** 16400000 **Flow 3 bar:** 5.5 l/m

**Description:** Chrome, battery operation, included battery

### Unique characteristics



Backflow protection unit type 



- For premixed water
- Without temperature knob, battery operation (included battery)
- Soft closing solenoid valve
- Safe against vandalism, complete in metal
- Eco (energy and water saving constant flow aerator, 5 l/min at 200–600 kPa)
- Flush Timeout - safety shut-off to prevent flooding
- 30 sec. rinse time via sensor
- Can be turned off for 60 sec. (eg for cleaning)
- Low power consumption - Long life
- Equipped with system for thermal disinfection against legionella
- IP class sensor, IP67
- Approved non-return valves, EN-Standard EN1717
- Environmental friendly material, Lead free, Nickel Free

### Installation:

- Automatic sensor calibration
- All models can be adapted for either battery 6V or mains operation 12V AC/DC
- For mains operation requires installation of the adapter kit FMM S600147
- Soft PEX<sup>®</sup> hoses with integrated non return valves and filters (stainless steel braided)

- Hole diameter Ø33,5-37 mm

**Settings:**

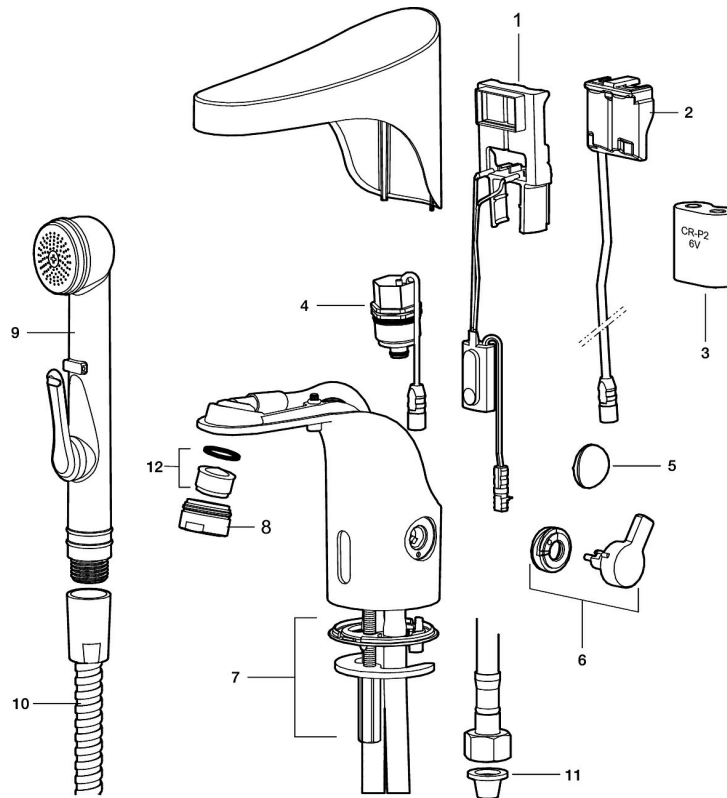
- Programmable function for hygiene flushing
- Adjustable flush time

## PRODUCT DESCRIPTION

9000E tronic for premixed water, without temperature knob, battery operation

FM Mattsson 9000E Tronic is a new generation of sensor operated mixers in Sweden. All technical parts are integrated in the mixer body for easy maintenance. There is also a programmable function for hygienic flush that prevents the water to be stagnant too long and thereby prevents bacteria to grow.

Article number: 16400000



## Sparepartlist

| NO. | FMM NO.  | RSK     | DESCRIPTION                           |
|-----|----------|---------|---------------------------------------|
| 1   | 16214000 | 8553501 | Electronic unit, Stand.               |
| 1   | 16216000 | 8553503 | Electronic unit, Centrally controlled |
| 2   | S600131  | 8483190 | AC adapter                            |
| 3   | S600135  | 8483191 | Battery                               |
| 4   | 16201000 | 8553500 | Solenoid valve                        |
| 5   | 16222000 | 8553505 | Cover plug                            |
| 6   | 16221000 | 8553504 | Lever                                 |
| 7   | 39141600 | 8553512 | Fastening kit                         |
| 8   | 29142400 | 8281526 | Housing M24 ext., 13 mm               |
| 9   | 34582000 | 8183841 | Self-closing hand shower              |

| <b>NO.</b> | <b>FMM NO.</b> | <b>RSK</b> | <b>DESCRIPTION</b>                     |
|------------|----------------|------------|--|
| 10         | S600207        | 8236647    | Shower hose, L=1,5 m, chrome           |
| 11         | 38800009       | 8295340    | Filter kit Soft PEX 3/8", 2 pcs        |
| 12         | 29100500       | 8281532    | Aerator insert, 5 l/min at 200–600 kPa |