



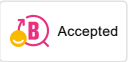
9000XE bath mixer


9000XE bath tub mixer is a mixer in brushed chrome with carefully balanced pressure and temperature regulation, low weight, and noise absorbing as well as energy-saving functions. It is also equipped with double check valves for added safety.

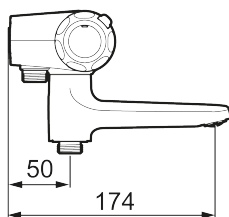
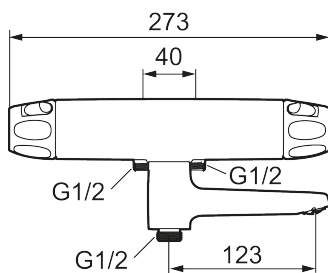
Article number: 86950003 **Flow 3 bar:** 22.7 l/m

Description: Brushed chrome, 40 c/c, pipe connection down

Unique characteristics



Backflow protection unit type 



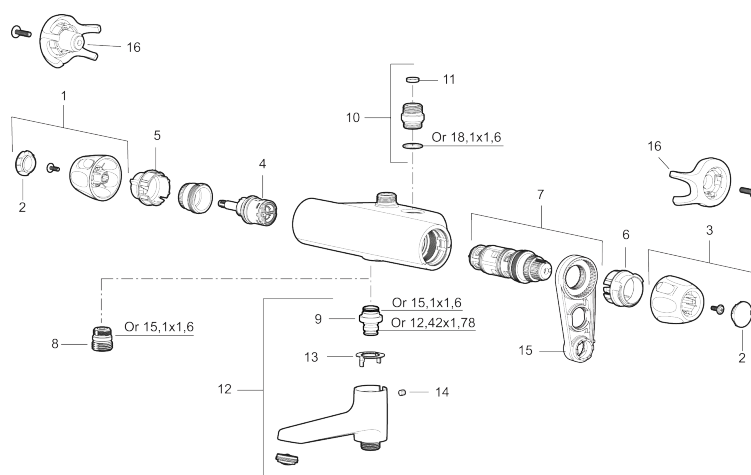
- Note! 40 c/c
- Pressure balanced thermostatic mixer
- Swivel spout with built-in diverter
- With ceramic sealed headwork
- With wall fixing
- Temperature handle with safety stop at 38°C
- With Eco-function
- Lead Free material
- Approved non-return valves, EN-Standard EN1717
- Note! Not for Vaska

PRODUCT DESCRIPTION

9000XE bath mixer

9000XE bath tub mixer is a mixer in brushed chrome with carefully balanced pressure and temperature regulation, low weight, and noise absorbing as well as energy-saving functions. It is also equipped with double check valves for added safety.

Article number: 86950003



Sparepartlist

NO.	FMM NO.	RSK	DESCRIPTION
1	S600083	8218917	On/off handle, complete, krom
1	S600083.75	8218919	On/off handle, complete, brushed chrome
2	S600116	8218920	End cover, chrome
2	S600116.75	8218922	End cover, brushed chrome
3	S600082	8218914	Temperature handle, complete, chrome
3	S600082.75	8218916	Temperature handle, complete, brushed chrome
4	S600020	8441462	Ceramic headwork, with service tool (shower mixer)
4	S600021	8441463	Ceramic headwork, with service tool (bath mixer)
5	S600086	8439710	Stop ring, standard
6	S600087	8439711	Scalding protection ring
6	S600026	8439708	Scalding protection ring, max 42 °C
7	S600084	8439709	Thermostatic cartridge, complete, incl. service tool
8	S600088	8439712	Nipple M18x1-G1/2 for shower mixer
9	39754000	8591969	Nipple M18x1 with o-ring for bath mixer
10	59820800	8591970	Inlet connector
11	38632006	8590311	Filter
12	S600077	8241000	Swivel spout with integrated diverter, chrome

NO.	FMM NO.	RSK	DESCRIPTION
12	S600077.75	8357750	Swivel spout with integrated diverter, brushed chrome
13	38521000	8295345	Stop ring
14	38086000	8439701	Locking screw
15	60770000	8591918	Service tool
16	S600105	8439713	Care-handle, black, 2 pcs