



SILJAN shower kit

Our new FM Mattsson Siljan collection combines design with eco-friendly and energy-saving functions without compromising on comfort. The Siljan shower range includes a wide selection of overhead shower and hand shower sets.


The showers can be combined with a Siljan thermostatic shower or bath mixer. Or make things simple by choosing one of our smart all-in-one overhead or hand shower sets.

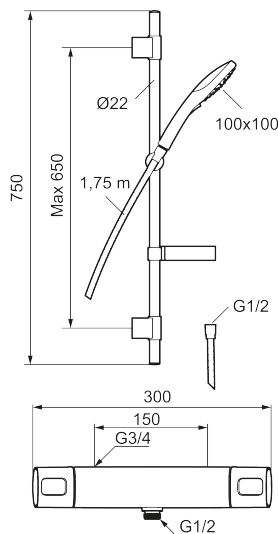
Article number: 83821500 **Flow 3 bar:** 7.5 l/m

Description: Chrome, 150 c/c

- Constant flow 7,5 l/min at 200–600 kPa
- Safety mixer art.no. 8380-1500 and shower set art.no. 8370-3900
- Shower set has anti lime-scale hand shower, shower bar with slider, soap dish and wall brackets with sealing

Unique characteristics

Backflow protection unit type 



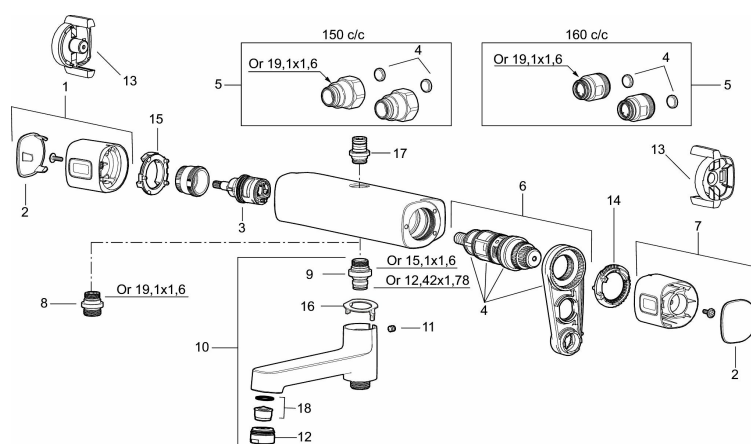
PRODUCT DESCRIPTION

SILJAN shower kit

Our new FM Mattsson Siljan collection combines design with eco-friendly and energy-saving functions without compromising on comfort. The Siljan shower range includes a wide selection of overhead shower and hand shower sets.

The showers can be combined with a Siljan thermostatic shower or bath mixer. Or make things simple by choosing one of our smart all-in-one overhead or hand shower sets.

Article number: 83821500



Sparepartlist

| NO. | FMM NO. | RSK | DESCRIPTION |
|-----|----------|---------|--|
| 1 | 35480009 | 8592029 | On/off handle, complete |
| 2 | 39031500 | 8592052 | End cover |
| 3 | 35980009 | 8585850 | Ceramic on/off headwork, reversible |
| 4 | 38680009 | 8591701 | Filter kit incl. o-rings and service tool |
| 5 | 59800800 | 8592005 | Inlet connectors, 160 c/c |
| 5 | 59810800 | 8592006 | Inlet connectors 150 c/c (left-handed thread) |
| 6 | S600275 | 8397029 | Thermostatic cartridge, complete, incl. service tool |
| 7 | 35480109 | 8592033 | Temperature handle, complete |
| 8 | 39710800 | 8591967 | Nipple M18x1-G1/2 for shower mixer |
| 9 | 39754000 | 8591969 | Nipple M18x1 with o-ring for bath mixer |
| 10 | 83990000 | 8154079 | Swivel spout with integrated diverter |
| 11 | 38086000 | 8439701 | Locking screw |
| 12 | 29142400 | 8281526 | Housing M24 ext., 13 mm |
| 13 | 35976209 | 8592039 | Care-handle, black, 2 pcs |
| 14 | 38523000 | 8592058 | Scalding protection ring |
| 15 | 38531000 | 8592059 | Stop ring, standard |
| 15 | 38531040 | 8592060 | Stop ring, reversible |

| NO. | FMM NO. | RSK | DESCRIPTION |
|-----|----------|---------|--|
| 16 | 38521000 | 8295345 | Stop ring |
| 17 | 39716000 | | Nipple M18x1 |
| 18 | 29102650 | 8281547 | Aerator insert, 20–24 l/min at 300 kPa |