



9000XE flexi kitchen mixer

9000XE kitchen mixer with flexi-spout in chrome has a detachable hand shower. With a detachable spout and a choice of jet settings, it is versatile, practical and flexible.

This kitchen mixer is lead-free and equipped with our smart, innovative, energy-saving functions such as cold start, soft closing, a temperature limiter function and an energy- and water-saving aerator.

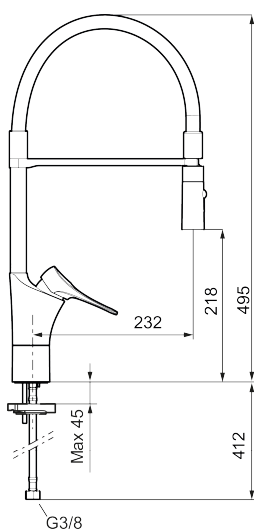
Article number: 86130010 **Flow 3 bar:** 6.0 l/m

Description: Chrome

Unique characteristics



Backflow protection unit type **EB**



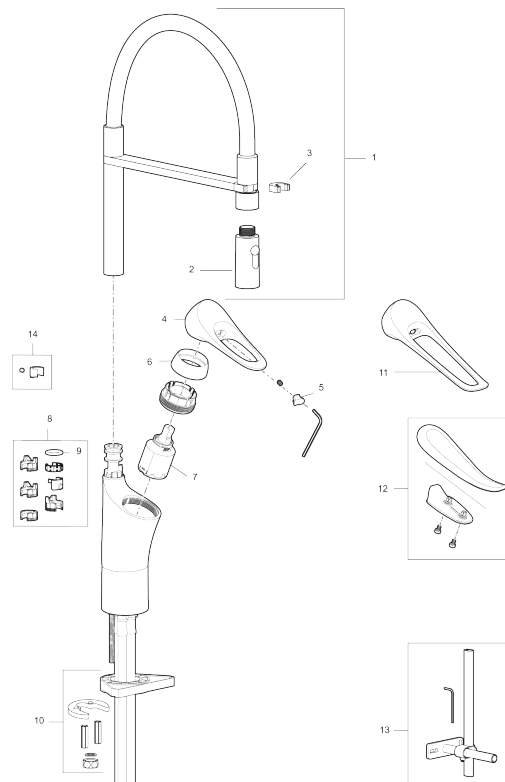
- Cold Start
- Ceramic cartridge with soft closing function
- Adjustable flow control and temperature limiter
- Hose, limitation part for 60°, 85°, 110° or 360° included
- Nozzle with concentrated jet and handshower
- Soft PEX® hoses with 3/8" connecting nut (stainless steel braided)
- Approved non-return valves, EN-Standard EN1717
- Lead Free material
- Hole diameter Ø34-37 mm

PRODUCT DESCRIPTION

9000XE flexi kitchen mixer

9000XE kitchen mixer with flexi-spout in chrome has a detachable hand shower. With a detachable spout and a choice of jet settings, it is versatile, practical and flexible. This kitchen mixer is lead-free and equipped with our smart, innovative, energy-saving functions such as cold start, soft closing, a temperature limiter function and an energy- and water-saving aerator.

Article number: 86130010



Sparepartlist

| NO. | FMM NO. | RSK | DESCRIPTION |
|-----|------------|---------|---|
| 1 | S600059 | 8394011 | Spout, complete, chrome |
| 1 | S600059.75 | 8387088 | Spout, complete, brushed chrome |
| 2 | S600060 | 8394012 | Nozzle |
| 3 | S600061 | 8393993 | Spout mount |
| 4 | S600096 | 8387022 | Lever, complete, chrome |
| 4 | S600096.75 | 8387024 | Lever, complete, Brushed chrome |
| 5 | S600097 | 8387025 | Cover lid with colour marking |
| 6 | S600101 | 8387029 | Cover sleeve, chrome |
| 6 | S600101.75 | 8387031 | Cover sleeve, brushed chrome |
| 7 | S600100 | 8387028 | Ceramic cartridge with tool, for kitchen mixer (LEED) and basin mixer |

| NO. | FMM NO. | RSK | DESCRIPTION |
|-----|----------|---------|---|
| 7 | S600099 | 8387027 | Ceramic cartridge, for kitchen mixer (LEED) and basin mixer |
| 8 | 58641000 | 8594560 | Lock kit for swivel spout |
| 9 | 37801550 | 8295350 | O-ring 15,54 x 2,62, 2 pcs |
| 10 | 39142800 | 8186893 | Fastening kit, for kitchen mixer with on/off valve |
| 11 | S600175 | 8387083 | Care-lever, complete |
| 12 | S600106 | 8397001 | Care-kit |
| 13 | 39147000 | 8592050 | Stabilizer kit |
| 14 | S600140 | 8387023 | Stop screw with limitation segment, for fixed spout |