

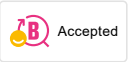
9000XE shower mixer


9000XE shower mixer in brushed chrome is the successor to one of our best-selling shower mixers. Its design is as sophisticated as that of its predecessor, but it has been upgraded with double check valves, faster temperature regulation, lower weight and noise absorbing functions. The product can be supplemented with a tub spout.

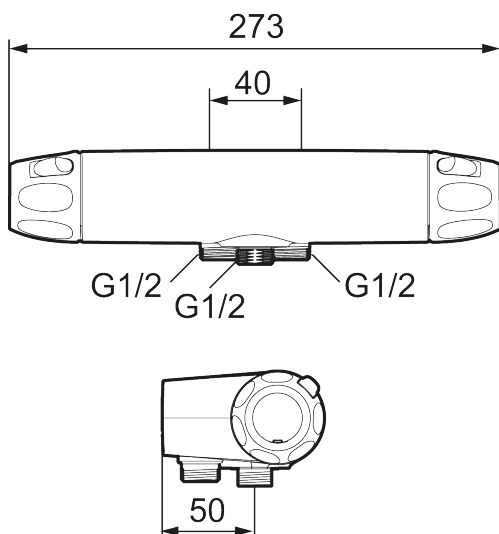
Article number: 86850003 **Flow 3 bar:** 12.2 l/m

Description: Brushed chrome, 40 c/c, pipe connection down

Unique characteristics



Backflow protection unit type 



- Note! 40 c/c
- With shower connection down
- Pressure balanced thermostatic mixer
- With ceramic sealed headwork
- With wall fixing
- Temperature handle with safety stop at 38°C
- With Eco-function
- Lead Free material
- Approved non-return valves, EN-Standard EN1717
- Note! Not for Vaska