



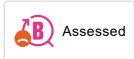
9000E bath mixer


An optimal fusion of design and function. The FM Mattsson 9000E range ushers in a new generation of mixers that are environmentally engineered down to the last detail. Even in its basic version, the mixer has our unique functions that ensure a constant water temperature and safe, reliable function. A new feature of these mixers is a cool mixer body. You'll never burn yourself on a 9000E mixer.

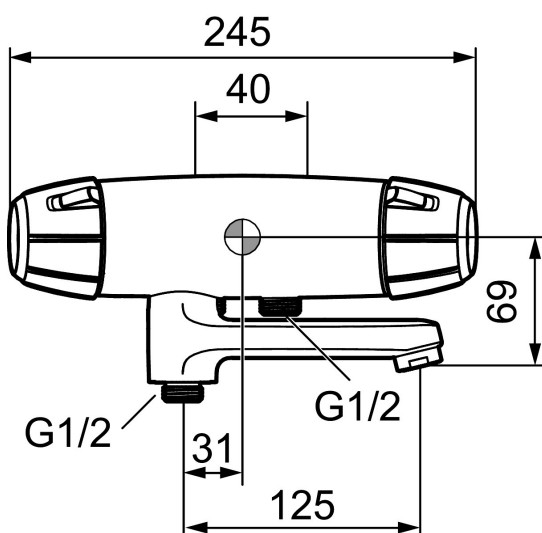
Article number: 82401000

Description: Chrome, 40 c/c, pipe connection down

Unique characteristics



Backflow protection unit type 



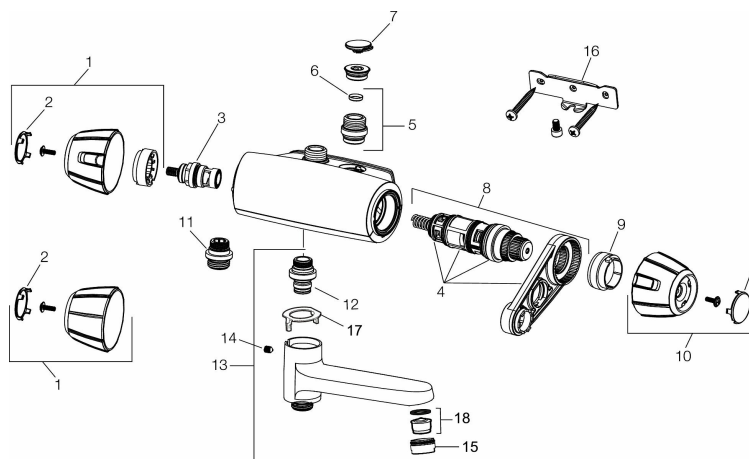
- Note! 40 c/c
- Pressure balanced thermostatic mixer
- Swivel spout with built-in diverter
- With ceramic sealed headwork
- With wall fixing
- Temperature handle with safety stop at 38°C
- With Eco-function
- Approved non-return valves, EN-Standard EN1717
- Spout projection from wall: 180 mm

PRODUCT DESCRIPTION

9000E bath mixer

An optimal fusion of design and function. The FM Mattsson 9000E range ushers in a new generation of mixers that are environmentally engineered down to the last detail. Even in its basic version, the mixer has our unique functions that ensure a constant water temperature and safe, reliable function. A new feature of these mixers is a cool mixer body. You'll never burn yourself on a 9000E mixer.

Article number: 82401000



Sparepartlist

NO.	FMM NO.	RSK	DESCRIPTION
1	35781000	8592015	On/off handle, complete, chrome
1	35780040	8591995	On/off handle, complete, black
2	39031004	8592004	Cover, black, 2 pcs
3	S600274	8397028	Ceramic headwork (G15)
4	38680009	8591701	Filter kit incl. o-rings and service tool
5	59820800	8591970	Inlet connector
6	38632006	8590311	Filter
7	38692800	8591974	Cover, chrome, 2 pcs
8	S600275	8397029	Thermostatic cartridge, complete, incl. service tool
9	38520007	8591592	Scalding protection ring, standard (black)
10	35780100	8591998	Temperature handle, complete, chrome
10	35780140	8591997	Temperature handle, complete, black
11	39710800	8591967	Nipple M18x1-G1/2 for shower mixer
12	39754000	8591969	Nipple M18x1 with o-ring for bath mixer
13	82990000	8154073	Swivel spout with integrated diverter
14	38086000	8439701	Locking screw
16	29710800	8591512	Wall plate, complete

NO.	FMM NO.	RSK	DESCRIPTION
17	38521000	8295345	Stop ring
18	29102650	8281547	Aerator insert, 20–24 l/min at 300 kPa